

Echelon

Instructions for Use

EC22L1S-EC30R8S
EC22L1SD-EC30R8SD

EN	Instructions for Use	1
FR	Instructions D'Utilisation	15
DE	Gebrauchsanweisung	29
IT	Istruzioni per L'Uso	43
ES	Instrucciones de Uso	57

1 Description and Purpose



Application

These instructions are for the practitioner.

The Echelon foot is to be used exclusively as part of a lower limb prosthesis.

This device provides limited self-alignment of the prosthesis on varied terrain and following footwear changes. It is intended to improve on postural sway and symmetry while easing abnormal pressures at the socket interface. A moderate-energy-return foot with multi-axial ankle movement. Independent heel and toe springs provides some axial deflection. The split toe provides good ground compliance.

This device is recommended for users that have the potential to achieve Activity Level 3 who may benefit from enhanced stability and an increase in confidence on uneven surfaces.

Of course there are exceptions and in our recommendation we want to allow for unique, individual circumstances. There may also be a number of users in the Activity Levels 2 and 4* who would benefit from the enhanced stability offered by Echelon, but this decision should be made with sound and thorough justification.

*Maximum user weight 100 kg and always use one higher spring rate category than shown in the Spring Set Selection table.

⚠ To minimise the risk of slipping and tripping, appropriate footwear that fits securely onto the footshell must be used at all times.

⚠ Be aware of finger trap hazard at all times.

Contra-indications

This device may not be suitable for Activity Level 1 individuals or for competitive sports events, as these types of users will be better served by a specially-designed prosthesis optimized for their needs.

Intended for a single user.

Ensure that the user has understood all instructions for use, drawing particular attention to the section regarding maintenance.

Spring Set Selection

		User Weight								
Activity		44-52	53-59	60-68	69-77	78-88	89-100	101-116	117-125	kg
		(100-115)	(116-130)	(131-150)	(151-170)	(171-195)	(196-220)	(221-255)	(256-275)	(lb)
3		1	2	3	4	5	6	7	8	Foot Spring set

Activity Level 3

Has the ability or potential for ambulation with variable cadence. Typical of the community ambulator who has the ability to traverse most environmental barriers and may have vocational, therapeutic, or exercise activity that demands prosthetic utilization beyond simple locomotion.

Note:

If in doubt choosing between two categories, choose the higher rate spring set.

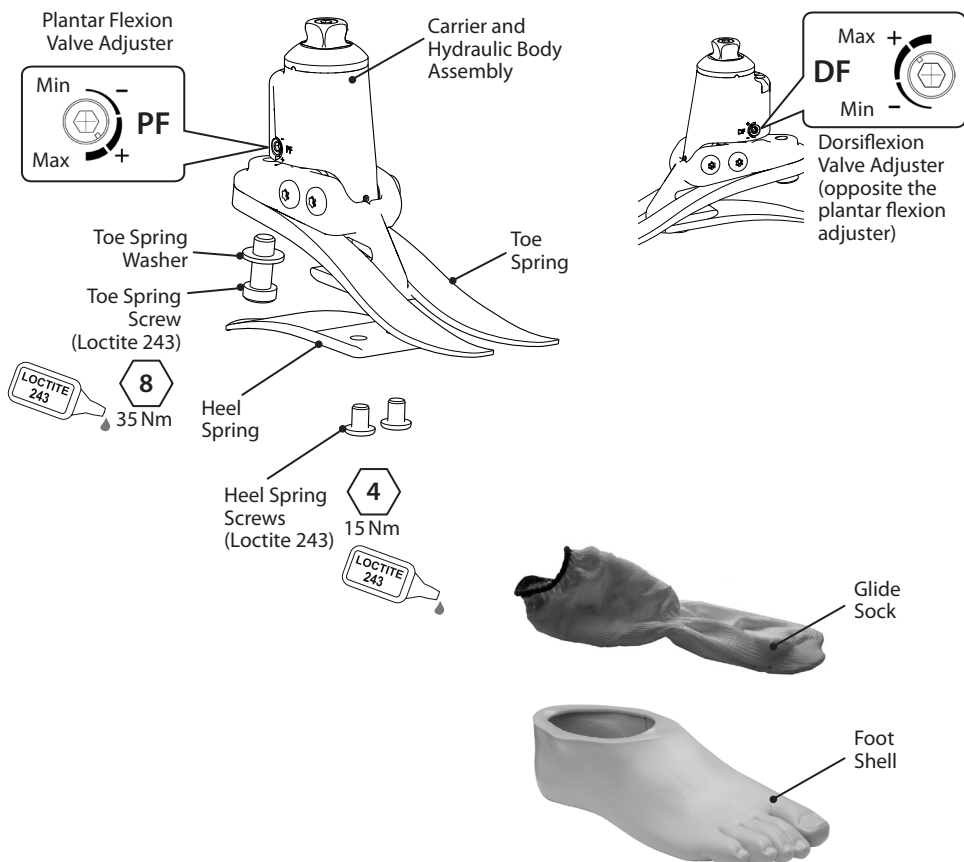
Foot Spring set recommendations shown are for transtibial users.

For transfemoral users we suggest selecting a spring set one category lower, refer to fitting advice Section 7 to ensure satisfactory function and range of movement

2 Construction

Principal parts:

- Hydraulic Body Assembly including pyramid (aluminum/St. Stl./titanium)
- Carrier Assembly (aluminum/St. Stl.)
- Heel & Toe Springs (e-carbon)
- Spring Attachment Screws (titanium/St. Stl.)
- Glide Sock (UHM PE)
- Foot Shell (PU)



3 Function

Echelon comprises a hydraulic body assembly containing adjustable hydraulic valves. The valves can be independently adjusted to increase and reduce hydraulic resistance of plantar and dorsiflexion. The hydraulic body assembly is connected to a carrier assembly via two pivot pins. Heel and toe springs are attached to the carrier assembly using titanium and stainless steel screws. The foot is wrapped in a UHM PE sock which is in turn surrounded by a PU foot shell.

4 Maintenance

Maintenance must be carried out by competent personnel.

It is recommended that the following maintenance is carried out annually:

- Remove the foot shell and glide sock, check for damage or wear and replace if necessary.
- Check all screws for tightness, clean and reassemble as necessary.
- Visually check the heel and toe springs for signs of delamination or wear and replace if necessary. Some surface damage may occur after a period of use, this does not affect the function or strength of the foot.

The user should be advised:

Any changes in performance of this device must be reported to the practitioner.

Changes in performance may include:

- Increase in ankle stiffness
- Reduced ankle support (free movement)
- Any unusual noise

The practitioner must also be informed of any changes in body weight and/or activity level.

The user should be advised that a regular visual check of the foot is recommended, signs of wear that may affect function should be reported to their service provider (e.g. significant wear or excessive discoloration from long term exposure to UV).

Cleaning

Use a damp cloth and mild soap to clean outside surfaces, do not use aggressive cleansers.

5 Limitations on Use

Intended life

A local risk assessment should be carried out based upon activity and usage.

Lifting loads

User weight and activity is governed by the stated limits.

Load carrying by the user should be based on a local risk assessment.

Environment

This device is waterproof to a maximum depth of 1 meter.

Thoroughly rinse with fresh water after use in abrasive environments such as those that may contain sand or grit, for example, to prevent wear or damage to moving parts.

Thoroughly rinse with fresh water after use in salt or chlorinated water.

Foot products must be adequately finished to prevent water ingress into the foot shell where possible. If water enters the foot shell, the limb should be inverted and dried before further use.



Exclusively for use between -15 °C and 50 °C (5 °F and 122 °F).

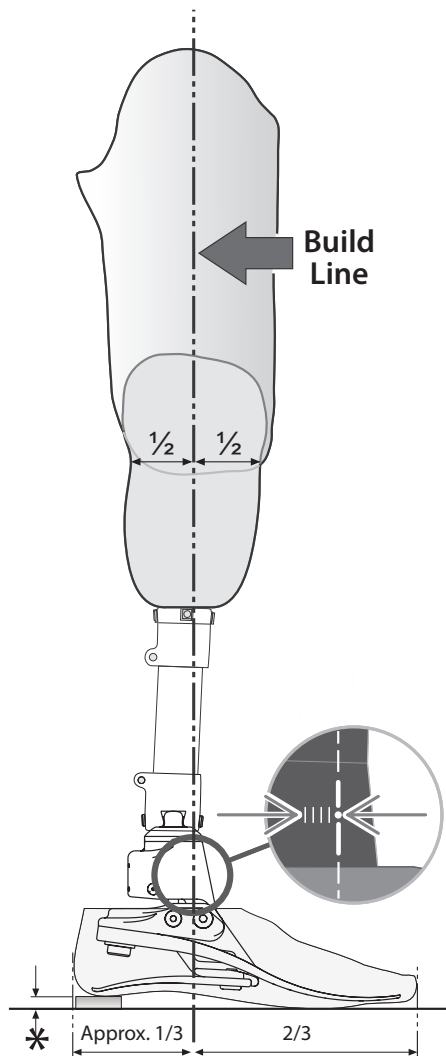
Suitable for submersion We recommend using only Blatchford products with this device.

6 Bench Alignment

6.1 Static alignment

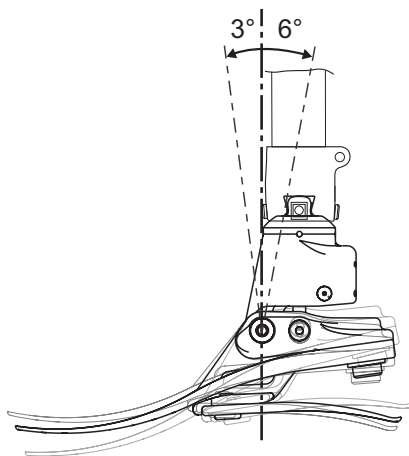
Align transfemoral devices according to fitting instructions supplied with the knee.

Keep the build line between pivots as shown, using shift and/or tilt devices as necessary.



Tilt setting

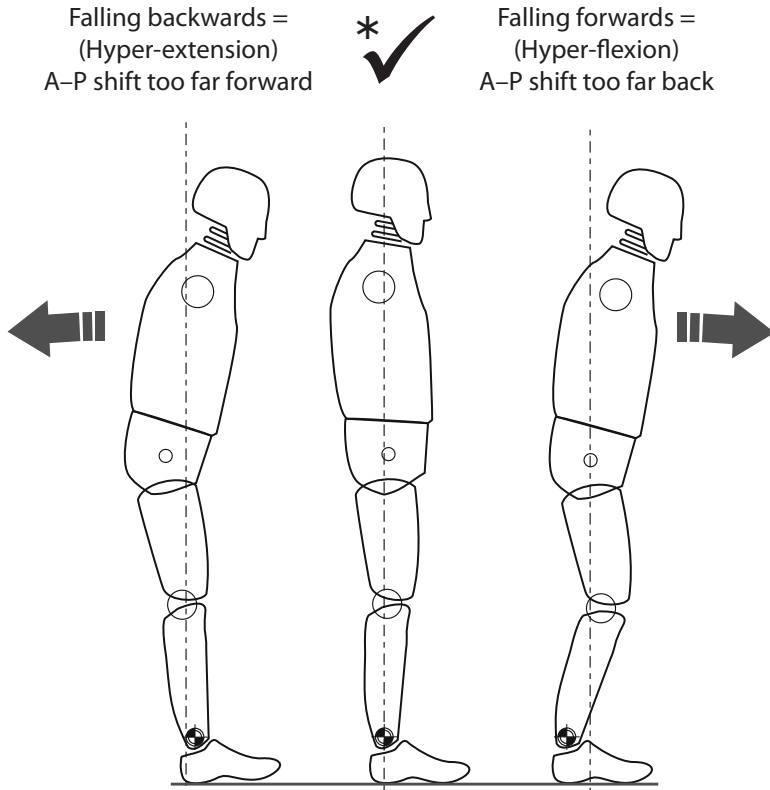
Align limb to achieve range of motion shown.



* Allow for users own footwear

6.2 Biomimetic alignment

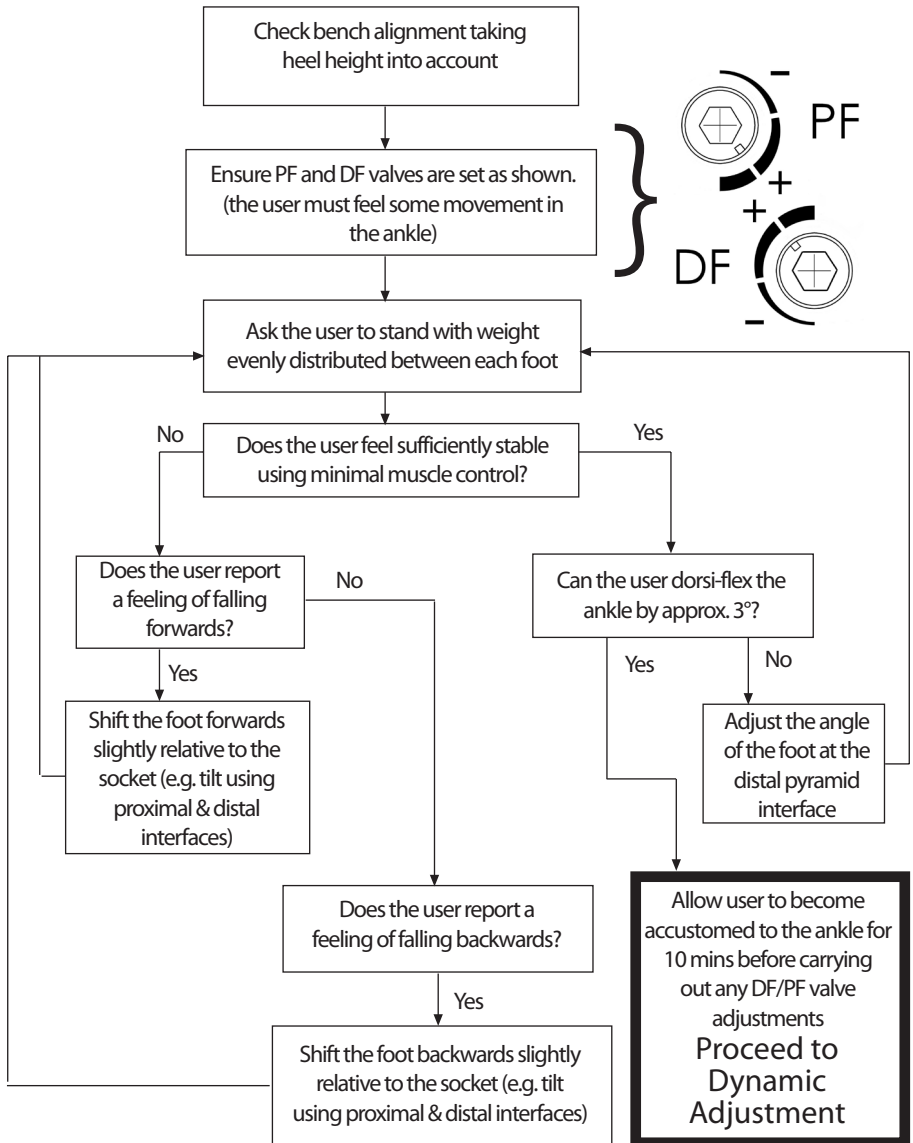
The aim of alignment is to achieve a “balance point” while standing and set the hydraulically damped range of motion. The aim of damping adjustment is to fine tune the ankle-foot roll-over stiffness characteristics until a comfortable gait is achieved. Due to the increased range of motion provided by the ankle the user may experience the need for more voluntary control and initially find the ankle disconcerting during setup. This should quickly pass upon completion of satisfactory setup.



* Ensure that the user is relaxed and not resting on the dorsiflexion limit.

6.3 Biomimetic adjustment

NB: Carry out static alignment while ensuring the user has some means of support such as parallel bars. This is standing alignment only.



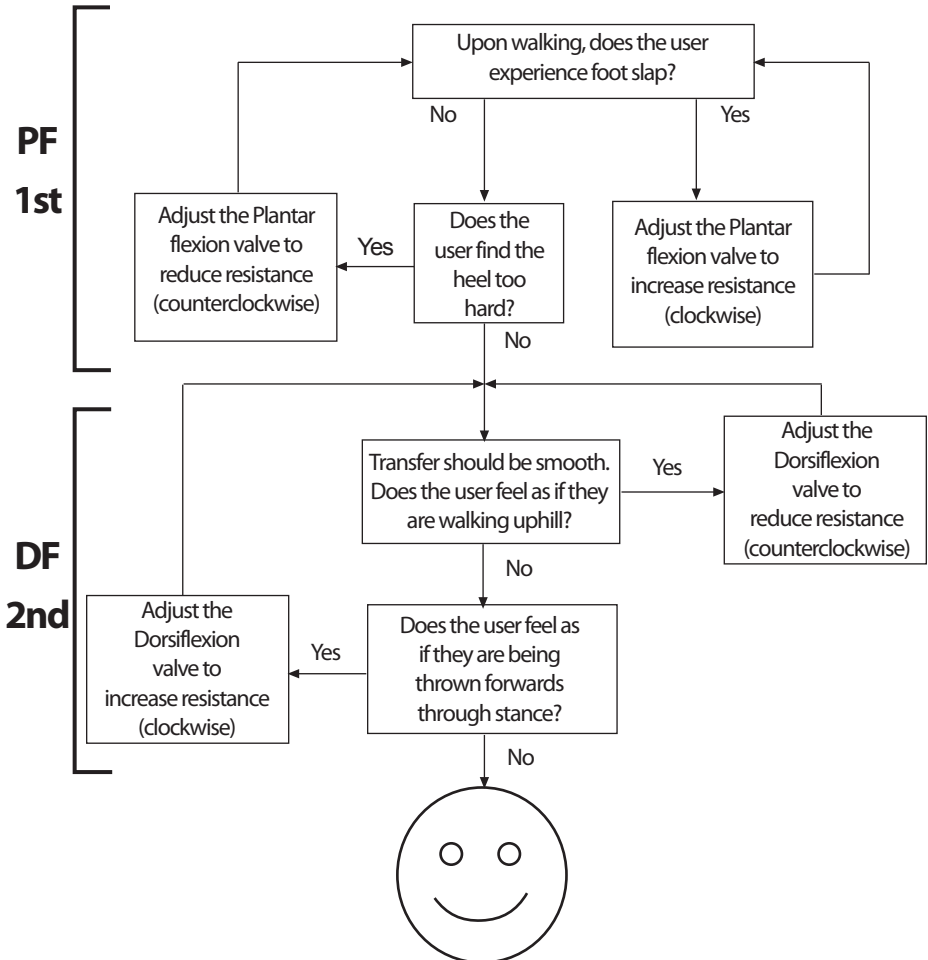
Use shift for static alignment and standing.

The device should encourage some degree of self adjustment to achieve a sense of balance for the user during standing.

6.4 Dynamic adjustment

Adjustment of the hydraulic valves.

The user should experience the ankle moving with the body through the gait cycle. There should be no effort exerted by the user to overcome the hydraulic resistance of the ankle.



Guidance:

Following dynamic adjustment, trial the foot/ankle on ramps and stairs. Ensure the user is comfortable with the kind of terrain he/she may normally be expected to encounter. If the user reports any issues with comfort, usability or range of movement of the ankle, adjust accordingly.

7 Fitting Advice

The correct alignment (A–P position), range of motion (distribution of plantar to dorsiflexion) and adjustment of the hydraulic settings are critical in achieving a smooth roll over and correct slope adaptation (see 6.3).

The springs for the Echelon foot will be supplied assembled with heel and toe springs of the same category. If after following the instructions below you still have problems with the function please contact the sales team in your area for advice.

Any of the following:

- Incorrect spring selection
- Incorrect A–P shift alignment
- Incorrect distribution of plantar and dorsiflexion range will have a negative effect on function and stability

	Symptoms	Remedy
1.	<p>Sinking at heel strike</p> <p>Difficulty in achieving a smooth progression to mid stance</p> <p>User feels they are walking up hill or forefoot feels excessively long</p>	<ol style="list-style-type: none"> 1. Increase plantar flexion resistance 2. Check A–P shift alignment; ensure foot is not too anteriorly positioned 3. Check distribution of plantar and dorsiflexion movement; ensure that the plantar flexion range is not excessive 4. Check spring category is not too soft, if so fit a higher rate spring
2.	<p>Progression from heel strike to mid stance is too rapid</p> <p>Difficulty in controlling the energy return from the foot at the heel strike (reduced knee stability)</p> <p>User feels heel is too hard, fore foot is too short</p>	<ol style="list-style-type: none"> 1. Reduce plantar flexion resistance 2. Check A–P shift alignment; ensure foot is not too posteriorly positioned 3. Check distribution of plantar and dorsiflexion movement; ensure that there is adequate plantar flexion range 4. Check the spring category is not too high for the weight and activity of the user, if so fit lower rate spring
3.	<p>Heel contact and progression feel OK but:</p> <p>Forefoot feels too soft</p> <p>Forefoot feels too short</p> <p>User feels they are walking down hill, possibly with reduced knee stability</p> <p>Lack of energy return</p>	<ol style="list-style-type: none"> 1. Increase dorsiflexion resistance 2. Check A–P shift alignment; ensure foot is not too posteriorly positioned 3. Check distribution of plantar and dorsiflexion movement; ensure that there is not excessive dorsiflexion range 4. Check the spring category is not too soft for the weight and activity of the user, if so fit higher rate spring

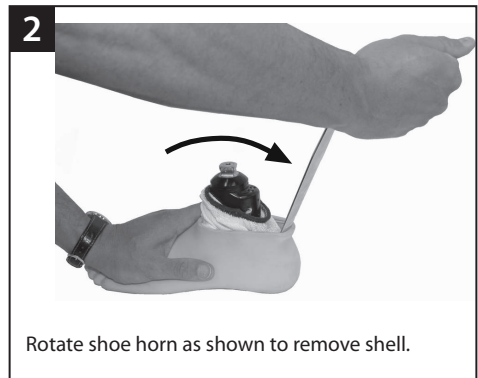
	Symptoms	Remedy
4.	Forefoot feels too rigid Forefoot feels too long Feels like walking up hill	<ol style="list-style-type: none"> 1. Reduce dorsiflexion resistance 2. Check A–P shift alignment; ensure foot is not too anteriorly positioned 3. Check distribution of plantar and dorsiflexion movement; ensure that there is sufficient dorsiflexion range 4. Check the spring category is not too rigid for the weight and activity of the user, if so fit lower rate spring

8 Assembly Instructions



Be aware of finger trap hazard at all times.

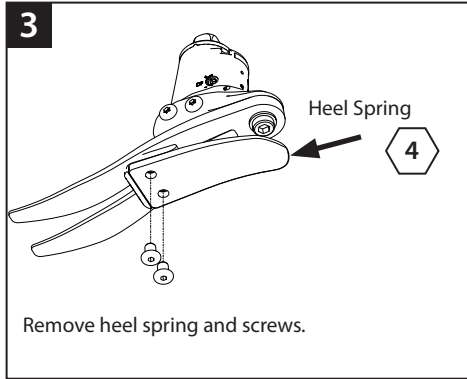
Foot shell removal



8 Assembly Instructions *(continued)*

Spring replacement

3

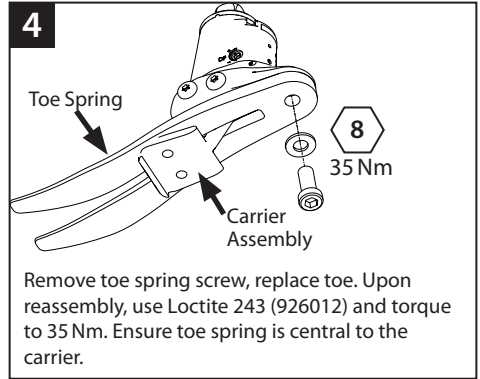


Heel Spring

4

Remove heel spring and screws.

4



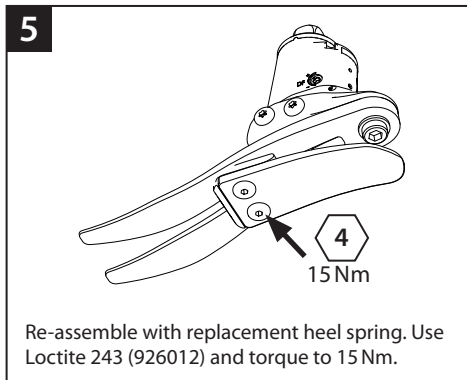
Toe Spring

Carrier Assembly

8
35 Nm

Remove toe spring screw, replace toe. Upon reassembly, use Loctite 243 (926012) and torque to 35 Nm. Ensure toe spring is central to the carrier.

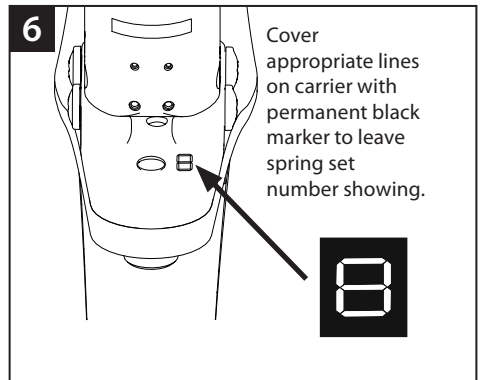
5



4
15 Nm

Re-assemble with replacement heel spring. Use Loctite 243 (926012) and torque to 15 Nm.

6



Cover appropriate lines on carrier with permanent black marker to leave spring set number showing.

8

7

If a foam cosmesis is to be fitted, roughen top surface of foot shell to provide ideal bonding surface.



8

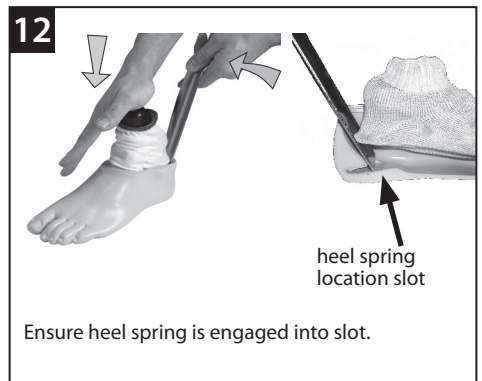
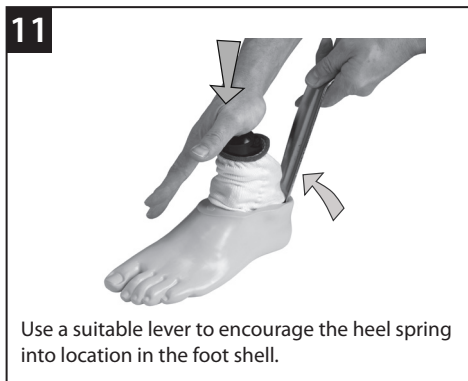


928017

Lubricate toe and heel if required. (Foot shell is pre-lubricated).

Fit sock as shown.

8 Assembly Instructions *(continued)*

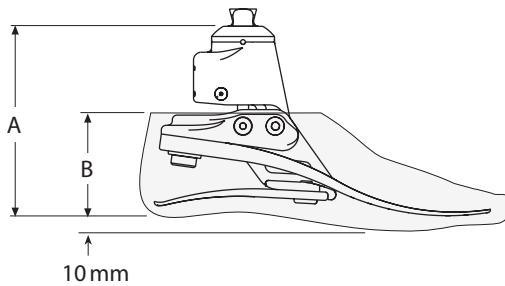


If a cosmetic finish is required please contact a member of the Blatchford Sales Team.

9 Technical Data

Operating and Storage Temperature Range:	-15 °C to 50 °C (5 °F to 122 °F)
Component Weight (<i>Size 26N</i>)	900 g (2 lb)
Activity Level:	3
Maximum User Weight:	125 kg (275 lb)
Proximal Alignment Attachment:	Male Pyramid (Blatchford)
Range of Hydraulic Ankle Motion (excludes additional range of motion provided by heel and toe springs)	6 degrees plantar flexion to 3 degrees dorsiflexion
Build Height: (See diagram below)	(<i>sizes 22–24</i>) 115 mm (<i>sizes 25–26</i>) 120 mm (<i>sizes 27–30</i>) 125 mm
Heel Height	10 mm

Fitting length



Size	A
22–24	115 mm
25–26	120 mm
27–30	125 mm

Size	B
22–26	65 mm
27–28	70 mm
29–30	75 mm

10 Ordering Information

Order Example

EC	25	L	N	3	S
	Size	Side (L/R)	Width* (N/W)	Spring Set Category	Sandal Toe

Available from size 22 to size 30:
EC22L1S to EC30R8S
EC22L1SD to EC30R8SD

*Sizes 25-27 only. For all other sizes, omit the Width field.

(add 'D' for a dark tone foot shell)

e.g. EC25LN3S, EC22R4S, EC27RW4SD

Spring Kits				
Rate	Foot sizes			
	Small (S)	Medium (M)	Large (L)	Extra Large (XL)
	22-24	25-26	27-28	29-30
Set 1	539801S	539810S	539819S	539828S
Set 2	539802S	539811S	539820S	539829S
Set 3	539803S	539812S	539821S	539830S
Set 4	539804S	539813S	539822S	539831S
Set 5	539805S	539814S	539823S	539832S
Set 6	539806S	539815S	539824S	539833S
Set 7	539807S	539816S	539825S	539834S
Set 8	539808S	539817S	539826S	539835S

Foot Shell (for dark add 'D')			Glide Sock	
Size/Side	Narrow	Wide		
22L	539038S	-	531011	
22R	539039S	-		
23L	539040S	-		
23R	539041S	-		
24L	539042S	-		
24R	539043S	-		
25L	539044SN	539044SW		
25R	539045SN	539045SW		
26L	539046SN	539046SW		
26R	539047SN	539047SW		
27L	539048SN	539048SW		532811
27R	539049SN	539049SW		
28L	-	539050S		
28R	-	539051S		
29L	-	539052S		
29R	-	539053S		
30L	-	539054S		
30R	-	539055S		

Liability

The manufacturer recommends using the device only under the specified conditions and for the intended purposes. The device must be maintained according to the instructions for use supplied with the device. The manufacturer is not liable for damage caused by the component combinations that were not authorized by the manufacturer.

CE Conformity

This product meets the requirements of 93/42/EEC guidelines for medical products. This product has been classified as a Class 1 Product according to the classification criteria outlined in Appendix IX of the guidelines. The Declaration of Conformity was therefore created by Blatchford Products Limited with sole responsibility according to Appendix VII of the guidelines.

Warranty

This device is warranted for 36 months - foot shell 12 months - glide sock 3 months. The user should be aware that changes or modifications not expressly approved could void the warranty, operating licenses and exemptions. See Blatchford website for the current full warranty statement.

Environmental Aspects

Where possible the components should be recycled in accordance with local waste handling regulations.

Manufacturer's Registered Address

Blatchford Products Limited, Lister Road, Basingstoke RG22 4AH, UK.

1 Description et objectif

FR

Application

Ces instructions sont destinées à l'attention de l'orthoprothésiste.

L'Echelon doit être utilisé dans le cadre d'une prothèse de membre inférieur.

Ce dispositif fournit un auto-alignement limité de la prothèse sur divers terrains et en cas de changement de chaussure. Il est conçu pour améliorer l'équilibre et la symétrie de la posture tout en atténuant les pressions anormales à l'interface moignon/emboîture. Un pied à la restitution d'énergie modérée avec mouvement de cheville multi-axial. Le talon indépendant et les ressorts d'orteils procurent une certaine déflexion axiale. L'orteil divisé procure une bonne adhérence au sol.

Ce dispositif est conseillé à l'usage pour les patients au niveau d'activité 3 qui peuvent tirer profit d'une stabilité et d'une confiance accrues sur sols irréguliers.

Il existe évidemment des exceptions et nos recommandations tiennent compte de circonstances uniques et spécifiques. Par ailleurs, des utilisateurs au niveau d'activité 2 et 4* pourraient éventuellement tirer parti de la stabilité accrue offerte par Echelon, bien que cette décision puisse uniquement être prise après complète justification.

(*poids maximum du patient 100 kg, toujours choisir la catégorie supérieure à celle préconisée dans le tableau pour compenser le niveau d'activité).

⚠ Afin de minimiser les risques de glissades et/ou de faux pas, il faut toujours utiliser des chaussures appropriées qui tiennent bien à l'enveloppe esthétique.

⚠ Sachez que vous risquez toujours de vous pincer les doigts.

Contre-indications

Ce dispositif peut ne pas convenir aux individus au niveau d'activité 1 ou aux patients participant à des manifestations sportives de compétition, car ces utilisateurs seront mieux servis par une prothèse spécifiquement conçue et optimisée pour leurs besoins.

Destiné à un usage individuel.

Veiller à ce que l'utilisateur ait bien compris toutes les instructions, notamment tout ce qui concerne la maintenance.

Choix du jeu de Lames

Poids de l'utilisateur

Activité	44-52	53-59	60-68	69-77	78-88	89-100	101-116	117-125	kg
	100-115	116-130	131-150	151-170	171-195	196-220	221-255	256-275	lbs
3	1	2	3	4	5	6	7	8	Jeu de lames

Activité 3

A la capacité ou le potentiel pour se déplacer à des cadences variables.

Typique des patients aptes à gérer la majorité des obstacles environnementaux et pouvant avoir une activité professionnelle ou thérapeutique qui exige l'utilisation d'une prothèse au-delà de la simple locomotion.

Note:

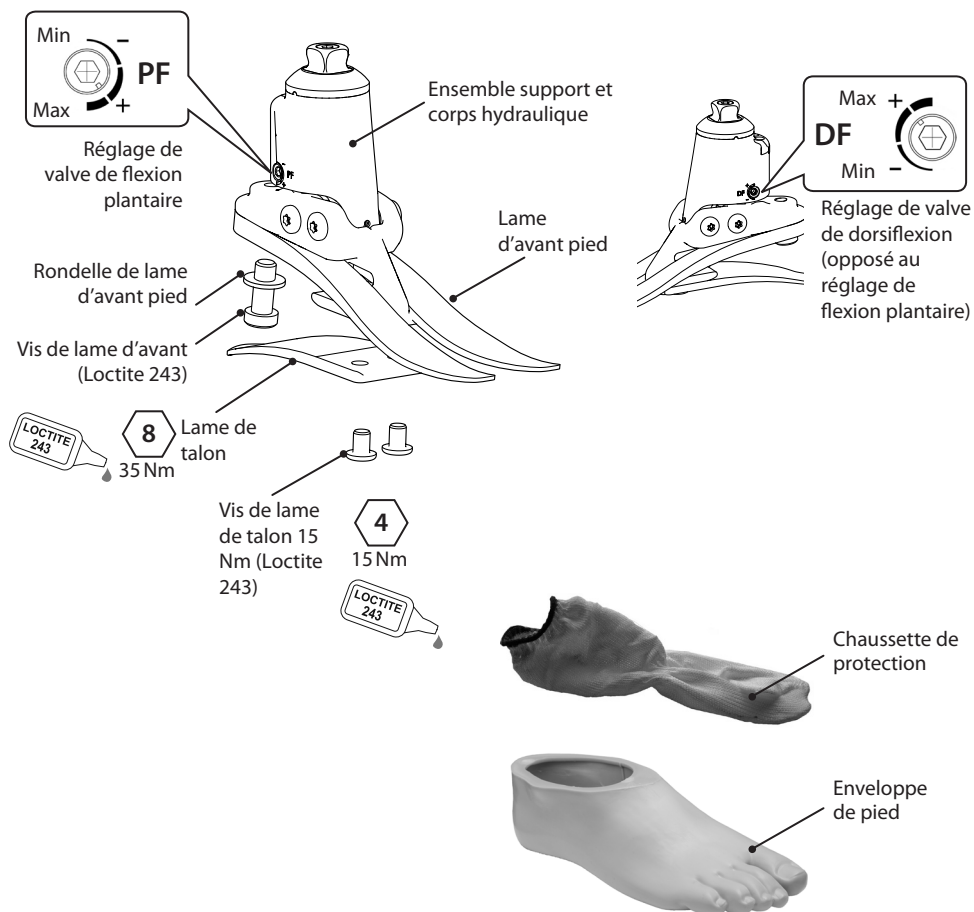
En cas de doute entre deux catégories de lames, choisir la plus dure.

Les recommandations de jeux de lames représentés sont pour un patient amputé tibial. Pour un amputé fémoral nous conseillons de prendre la catégorie en dessous tout en veillant à respecter les grilles de poids. Se référer à la section 7 de la notice de montage pour assurer une fonction et une amplitude satisfaisante.

2 Construction

Composants principaux :

- Corps hydraulique comprenant la pyramide (aluminium/acier inox/titane)
- Châssis (aluminium/acier inox)
- Lames de talon et d'avant pied (E-Carbon)
- Vis de fixation de lames (titane/acier inox)
- Chaussette de protection (UHM PE)
- Enveloppe de pied (PU)



3 Fonction

L'Echelon comporte un corps hydraulique contenant des valves réglables.

Les valves peuvent être ajustées de manière indépendante pour augmenter ou réduire la résistance hydraulique à la flexion plantaire et/ou dorsale.

Cet ensemble est connecté à un support à l'aide de deux pivots. Les lames de talon et d'avant-pied sont fixées au support par des vis en inox et titane. Le pied est enveloppé dans une chaussette en PE UHM qui est insérée dans une enveloppe de pied en PU.

4 Entretien

L'entretien doit être effectué par une personne qualifiée.

Il est recommandé d'effectuer l'entretien suivant annuellement :

- Retirer l'enveloppe de pied et la chaussette de protection, rechercher des dommages ou une usure et remplacez au besoin.
- Vérifier le serrage de toutes les vis, nettoyer et remonter au besoin.
- Rechercher visuellement des signes de délamination ou d'usure des lames de talon et d'avant pied et remplacer au besoin. Une légère dégradation de la surface peut se produire après une période d'utilisation, ceci n'affecte pas la fonction ni la résistance du pied.

Les changements de performance peuvent inclure :

- Augmentation de la rigidité de la cheville
- Réduction du soutien de la cheville (liberté de mouvements)
- Bruit inhabituel

L'orthoprothésiste doit également être informé de tout changement dans le poids corporel et / ou le niveau d'activité du patient.

L'utilisateur doit être informé qu'une vérification visuelle régulière du pied est recommandée.

les signes d'usure pouvant affecter sa fonction doivent être signalés à son orthoprothésiste (par exemple, usure importante ou décoloration excessive due à une exposition à long terme aux UV).

Nettoyage :

Utiliser un chiffon humide et un savon doux pour nettoyer les surfaces extérieures; n'utiliser pas de détergent agressif.

5 Limites d'utilisation :

Durée de vie prévue

Une évaluation des risques locaux doit être effectuée en fonction de l'activité et de l'utilisation.

Port de charges

Le poids et l'activité de l'amputé sont régis par les limites indiquées.

Le port de charges par l'amputé doit être basé sur une évaluation des risques locaux.

Environnement

Le produit est étanche sur une profondeur maximale de 1 mètre.

Rincez abondamment à l'eau claire après utilisation dans un environnement abrasif comme ceux susceptibles de contenir du sable ou des gravillons, par exemple, pour prévenir l'usure ou d'endommager les pièces mobiles;

Rincez abondamment à l'eau claire après utilisation dans de l'eau salée ou dotée de chlore.

Les éléments de pied doivent bénéficier d'une finition adéquate pour empêcher l'eau de pénétrer dans l'enveloppe de pied autant que possible. Si de l'eau pénètre dans l'enveloppe, le dispositif doit être retourné et séché avant une nouvelle utilisation.



Exclusivement pour une utilisation de -15°C à 50°C.

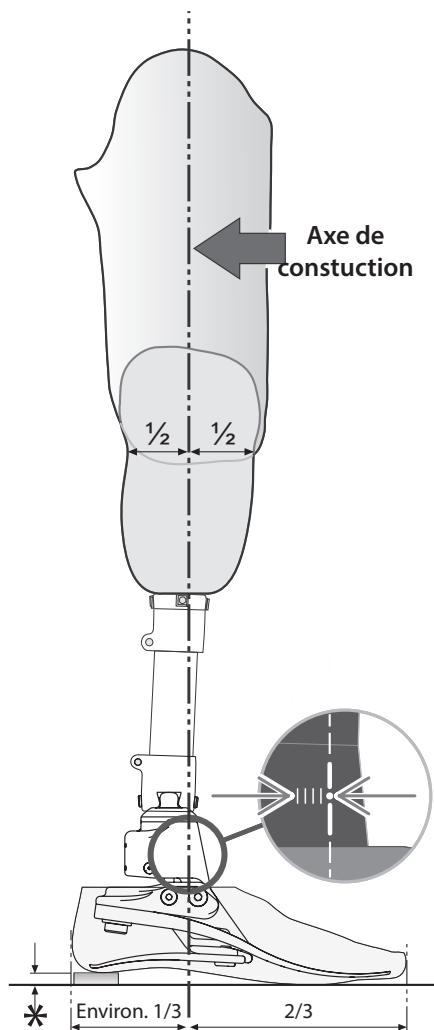
On recommande de n'utiliser que les produits Blatchford avec l'Echelon.

Adapté pour une immersion
jusqu'à 1 mètre

6 Alignement

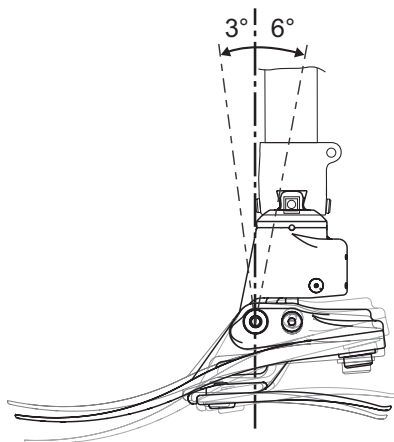
6.1 Alignement à l'établi

Aligner les dispositifs trans-fémoraux selon les instructions fournies avec le genou. Maintenir l'axe de construction entre les pivots comme représenté, en utilisant des dispositifs de translation et/ou inclinaison selon le cas.



Réglage d'inclinaison

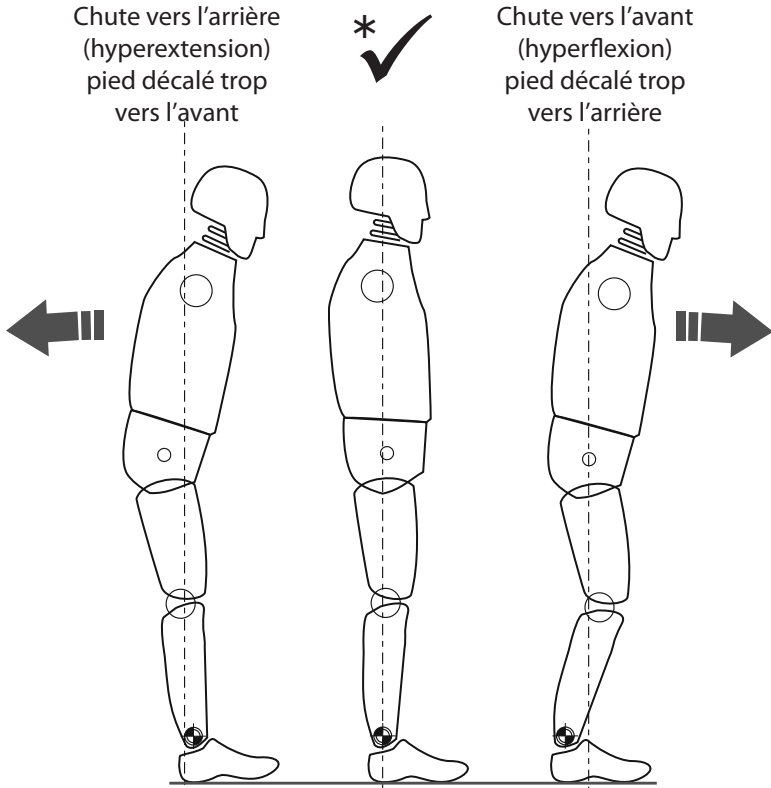
Aligner l'appareil pour obtenir l'amplitude de mouvement représentée.



* 10 mm pour tenir compte de la hauteur du talon

6.2 Alignement biomimétique

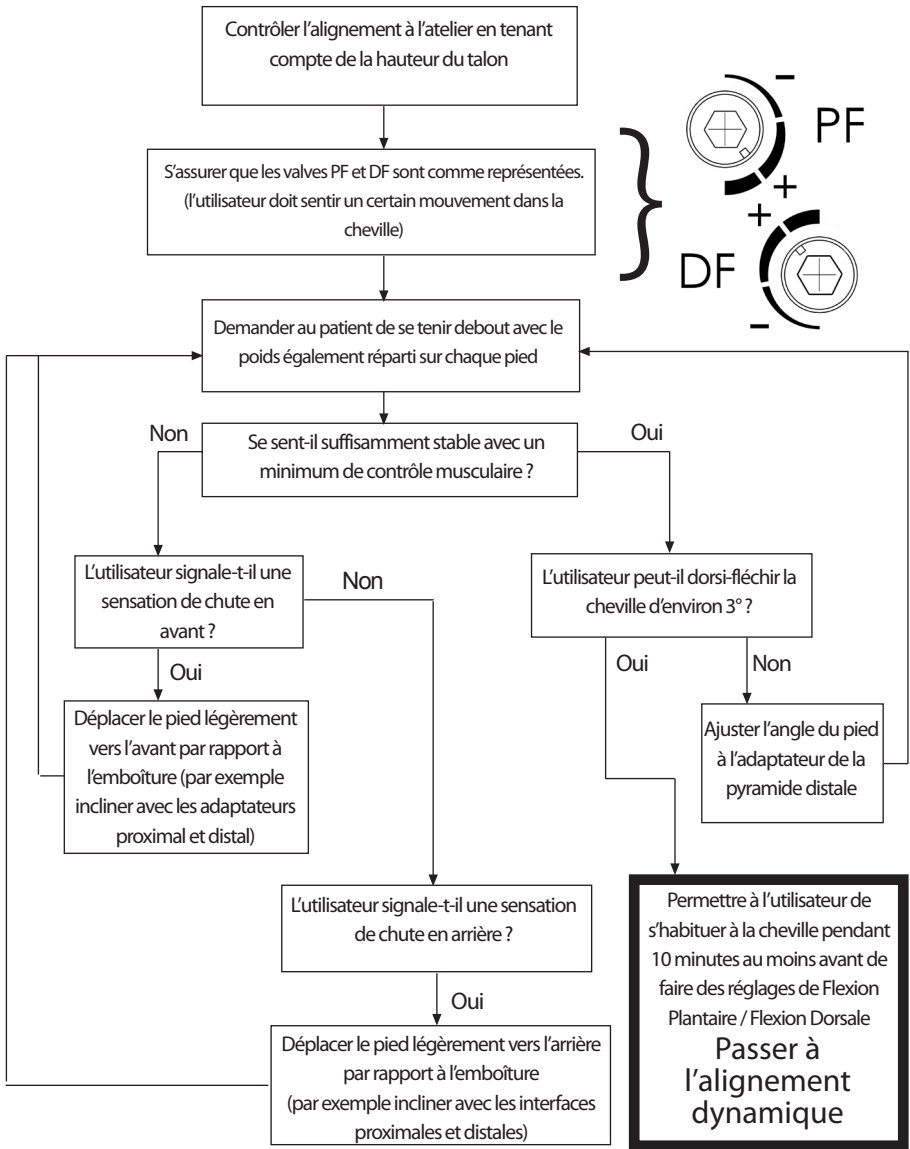
L'alignement a pour objectif l'obtention d'un « point d'équilibre » en position debout et le réglage de l'amplitude de mouvement amortie hydrauliquement. L'objectif du réglage de l'amortissement est de régler avec précision les caractéristiques de rigidité de déroulement cheville-pied jusqu'à l'obtention d'une démarche confortable. En raison de l'amplitude de mouvement accrue fournie par la cheville, l'utilisateur peut ressentir le besoin d'un contrôle plus volontaire et trouver au début la cheville déconcertante pendant la mise en place. Ceci doit rapidement disparaître une fois la configuration satisfaisante obtenue.



* s'assurer que l'utilisateur est détendu et ne repose pas sur la limite (butée) de flexion dorsale

6.3 Alignement biomimétique

NB: effectuer un alignement statique tout en s'assurant que l'utilisateur a un soutien tel que des barres parallèles. C'est un alignement debout seulement.

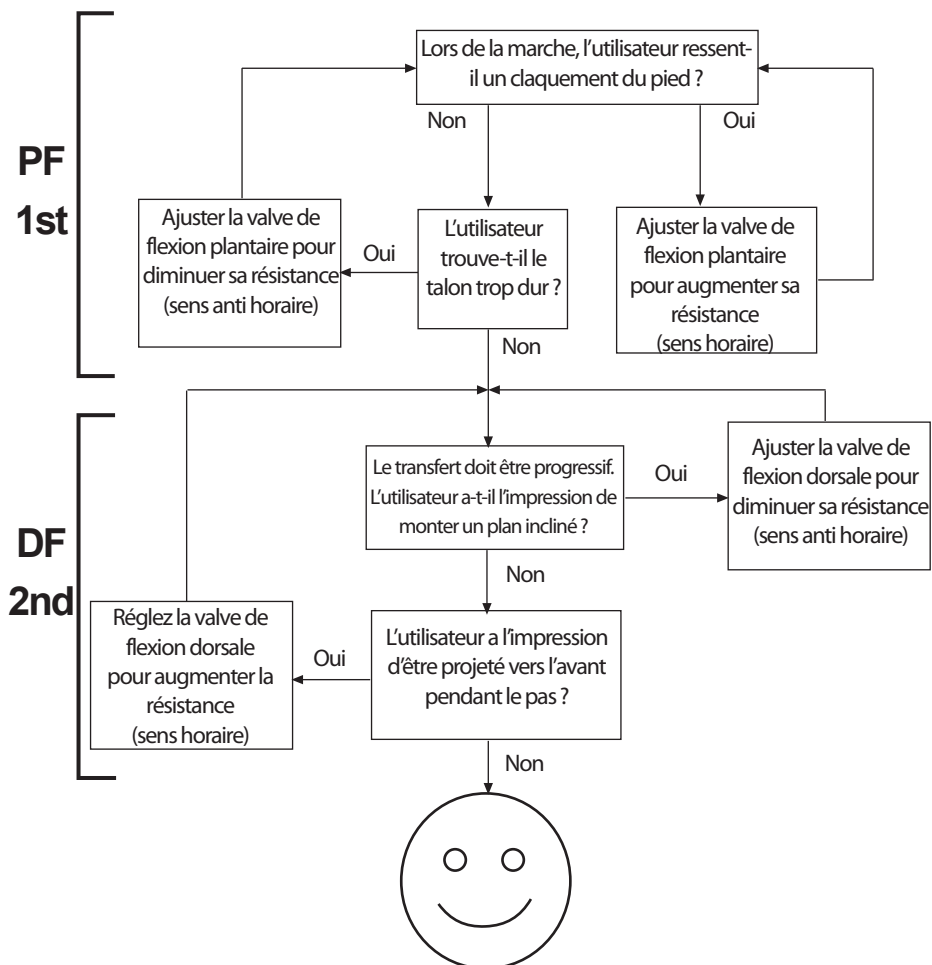


Utiliser la translation pour l'alignement statique en position debout.

Le dispositif doit encourager un certain niveau d'auto alignement afin d'obtenir une sensation d'équilibre pour le patient qui se tient debout.

6.4 Réglage dynamique

Ajustement des valves hydrauliques. L'utilisateur doit ressentir le mouvement de la cheville avec le corps pendant le cycle de marche. Il ne doit faire aucun effort pour surmonter la résistance hydraulique de la cheville.



Guide

Après le réglage dynamique, essayer le pied/la cheville sur des plans inclinés et des escaliers. S'assurer que l'utilisateur est confortable sur les types de terrain qu'il peut normalement rencontrer.

S'il signale des problèmes de confort, commodité ou amplitude de mouvement de la cheville, ajuster en conséquence.

7 Conseils de montage

L'alignement (position AP), l'amplitude de mouvement (répartition de la flexion plantaire et dorsale) et le réglage des paramètres hydrauliques corrects sont critiques pour obtenir un déroulement progressif et une bonne adaptation dans les pentes. (Voir 6.3.)

Les lames du pied Echelon sont fournies assemblées et appariées dans la même catégorie. Donner la possibilité à l'utilisateur de se familiariser au réglage initial.

Après avoir suivi les instructions si vous subissez toujours des problèmes de fonction, veuillez contacter l'équipe commerciale de votre zone pour de plus amples conseils.

Chacun de ces points :

- Mauvais choix de ressort
- Mauvais alignement en translation AP
- Mauvaise répartition des amplitudes de flexion plantaire et dorsale
... aura un effet négatif sur le fonctionnement et la stabilité.

	Symptoms	Remedy
1.	<ul style="list-style-type: none">• Plongée à l'attaque du talon• Difficulté d'obtention d'une progression fluide en milieu de phase d'appui• L'utilisateur a l'impression de gravir une pente ou l'avant pied semble excessivement long	<ul style="list-style-type: none">• Augmentez la résistance à la flexion plantaire• Contrôler l'alignement en translation AP ; vérifier que le pied n'est pas positionné trop en avant• Contrôler la répartition du mouvement de la flexion plantaire et dorsale ; vérifier que l'amplitude de flexion plantaire n'est pas excessive• Vérifier que la catégorie du ressort n'est pas trop souple, si c'est le cas monter un ressort de catégorie supérieure
2.	<ul style="list-style-type: none">• La progression de l'attaque du talon à milieu de phase d'appui est trop rapide• Difficulté à contrôler la restitution d'énergie à l'attaque du talon (stabilité du genou réduite, rotation du pied)• L'utilisateur ressent que le talon est trop dur et que l'avant pied est trop court	<ul style="list-style-type: none">• Réduire la résistance en flexion plantaire• Contrôler l'alignement en translation AP ; vérifier que le pied n'est pas positionné trop en arrière• Contrôler la répartition du mouvement de flexion plantaire et de la dorsale ; vérifier que l'amplitude de la flexion plantaire est adéquate• Vérifier que la catégorie de ressort n'est pas trop dure pour le poids et l'activité du patient, si c'est le cas monter un ressort de catégorie inférieure.
3.	<p>Sensation de contact et de progression du talon correcte mais :</p> <ul style="list-style-type: none">• L'avant pied semble trop souple• L'avant pied semble trop court• L'utilisateur a l'impression de descendre une pente, éventuellement avec une réduction de la stabilité du genou• Restitution d'énergie insuffisante	<p>Sensation de contact et de progression du talon correcte mais :</p> <ul style="list-style-type: none">• Augmenter la résistance en flexion dorsale• Contrôler l'alignement en translation AP ; vérifier que le pied n'est pas positionné trop en arrière• Contrôler la répartition du mouvement de la flexion plantaire et dorsale ; vérifier que l'amplitude de la flexion dorsale n'est pas excessive• Vérifier que la catégorie du ressort n'est pas trop souple pour le poids et l'activité du patient, si c'est le cas monter un ressort de catégorie supérieure

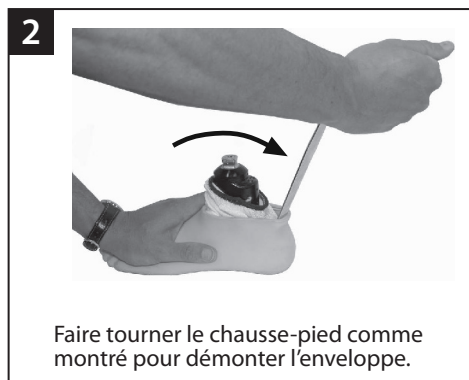
	Symptoms	Remedy
4.	<ul style="list-style-type: none"> • L'avant pied semble trop rigide • L'avant pied semble trop long • Impression de gravir plan incliné 	<ul style="list-style-type: none"> • Réduire la résistance en flexion dorsale • Contrôler l'alignement en translation AP ; vérifiez que le pied n'est pas positionné trop en avant • Contrôler la répartition du mouvement de la flexion plantaire et dorsale ; vérifier que l'amplitude de la flexion dorsale est suffisante • Vérifiez que la catégorie du ressort n'est pas trop rigide pour le poids et l'activité du patient, si c'est le cas monter un ressort de catégorie inférieure

8 Instructions de d'entretien



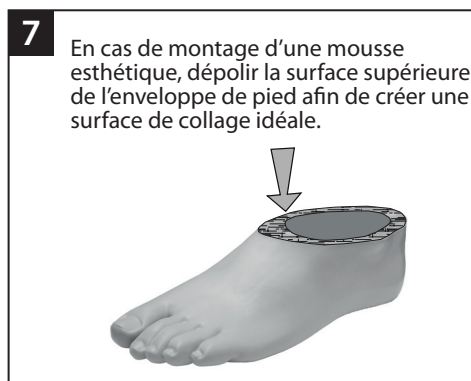
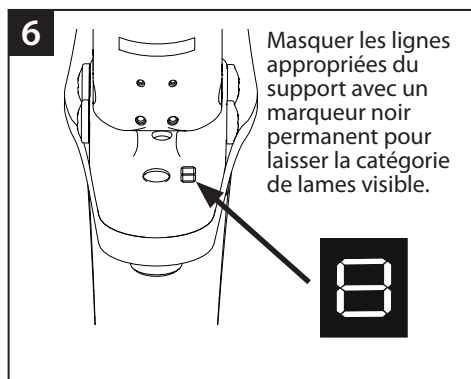
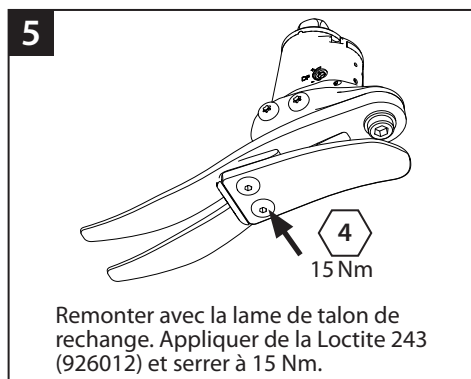
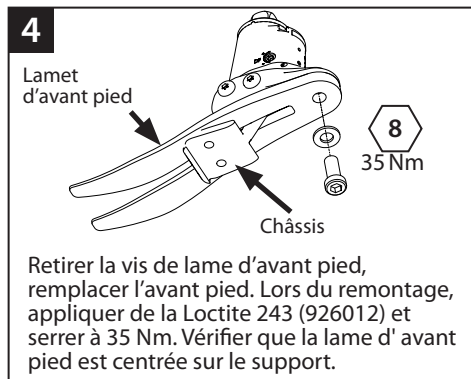
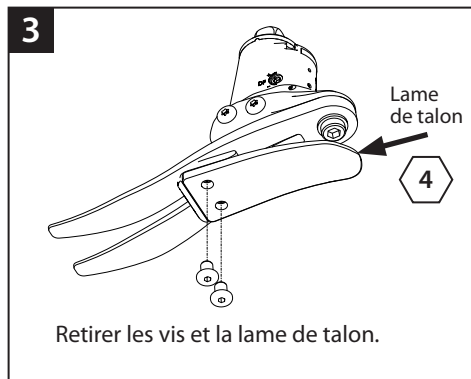
Sachez que vous risquez toujours de vous pincer les doigts.

Démontage de l'enveloppe de pied

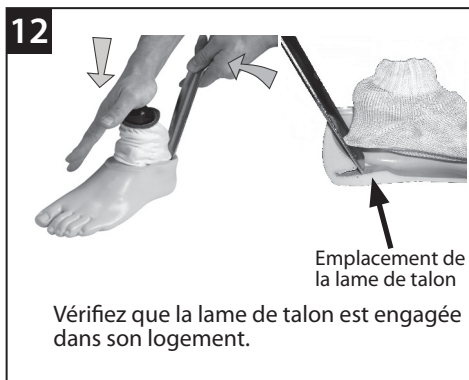


8 Instructions d'entretien (suite)

Remplacement des lames



8 Instructions d'entretien (suite)

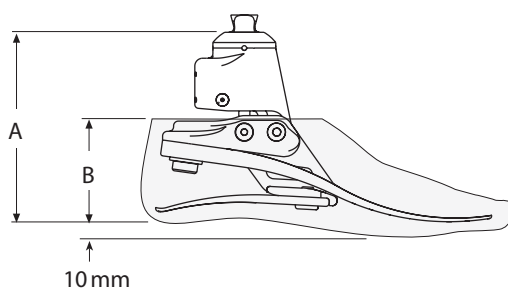


Si une finition cosmétique est nécessaire, contactez un membre de l'équipe commerciale d'Blatchford.

9 Données techniques

Température de fonctionnement :	-15 °C to 50 °C
Poids du composant (<i>Taille 26N</i>) :	900 g
Niveau d'activité :	3
Poids utilisateur max. :	125 kg
Liaison proximale	Pyramide mâle (Blatchford)
Amplitude du mouvement de cheville :	6° plantaire 3° dorsiflexion
Hauteur de construction :	(<i>taille 22–24 cm</i>) 115 mm
	(<i>taille 25–26 cm</i>) 120 mm
	(<i>taille 27–30 cm</i>) 125 mm
Hauteur de talon :	10 mm

Encombrement



Tailles	A
22–24	115 mm
25–26	120 mm
27–30	125 mm

Tailles	B
22–26	65 mm
27–28	70 mm
29–30	75 mm

10 Informations pour la commande

Référence produit :

EC	25	L	N	3	S
	Taille	Côté (L/R)	Largeur* (N/W)	Catégorie du jeu de lames	1er orteil séparé

Existe de la taille 22 à la taille 30:
EC22L1S à EC30R8S
EC22L1SD à EC30R8SD

*Tailles 25-27 seulement. Pour toutes les autres tailles, omettez le champ Largeur.

(ajouter « D » pour une enveloppe de
nuance foncée)

ex. EC25LN3S, EC22R4S, EC27RW4SD

Jeux de lames				
Rate	Petite (S)	Moyenne (M)	Grande (G)	Très grande (XL)
	22-24	25-26	27-28	29-30
Set 1	539801S	539810S	539819S	539828S
Set 2	539802S	539811S	539820S	539829S
Set 3	539803S	539812S	539821S	539830S
Set 4	539804S	539813S	539822S	539831S
Set 5	539805S	539814S	539823S	539832S
Set 6	539806S	539815S	539824S	539833S
Set 7	539807S	539816S	539825S	539834S
Set 8	539808S	539817S	539826S	539835S

Enveloppe de pied (pour nuance foncée ajouter « D »)			Chaussette de protection
Taille et côté	Étroite	Large	
22L	539038S	-	531011
22R	539039S	-	
23L	539040S	-	
23R	539041S	-	
24L	539042S	-	
24R	539043S	-	
25L	539044SN	539044SW	
25R	539045SN	539045SW	
26L	539046SN	539046SW	532811
26R	539047SN	539047SW	
27L	539048SN	539048SW	
27R	539049SN	539049SW	
28L	-	539050S	
28R	-	539051S	
29L	-	539052S	
29R	-	539053S	
30L	-	539054S	
30R	-	539055S	

Clé de réglage DF/PF (4.0 A/F Allen) 940236

Responsabilité

Le fabricant recommande de n'utiliser le dispositif que dans les conditions spécifiées et pour les buts prévus. Le dispositif doit être entretenu selon les instructions d'utilisation qui l'accompagnent. Le fabricant n'est pas responsable des dommages provoqués par des combinaisons de composants qu'il n'a pas autorisées.

Conformité CE

Ce produit respecte les exigences des directives 93/42/CEE relatives aux produits médicaux. Il a été classé comme un produit de classe I selon les critères de classification décrits dans l'annexe IX des directives. La déclaration de conformité a donc été établie par Blatchford Products Limited sous sa seule responsabilité selon l'annexe VII des directives.

Garantie

L'Echelon est garanti - 36 mois - enveloppe de pied 12 mois - chaussette de protection 3 mois. L'utilisateur doit savoir que les changements ou modifications non approuvées annuleront la garantie, les licences d'utilisation et les exemptions. Consultez le site Web Blatchford pour connaître la déclaration de garantie en vigueur.

Aspects environnementaux

Dans la mesure du possible, les composants doivent être recyclés conformément aux réglementations locales en matière de traitement des déchets.

Adresse enregistrée du fabricant

Blatchford Products Limited, Lister Road, Basingstoke RG22 4AH, UK.

1 Beschreibung und Verwendungszweck

DE

Anwendung

Diese Gebrauchsanweisung ist für Fachpersonal (Techniker) vorgesehen.

Der Echelon-Fuß ist ausschließlich als Teil einer Prothese der unteren Extremitäten einzusetzen.

Der Fuß passt sich begrenzt automatisch verschiedenen Untergründen an, auch nach einem Schuhwechsel. Er soll eine stabilere und symmetrischere Körperhaltung ermöglichen, und die auf den Stumpf wirkende Druck und Scherkraftbelastung verringern. Ein Fuß mit mittlerer Energierückgabe und mehraxialer Fußgelenkbewegung. Unabhängige Fersen- und Vorfußfeder bietet eine gewisse Axialdeflexion. Der zweigeteilte Vorfuß bietet eine gute Bodenhaltung.

Der Fuß wird Anwendern der Mobilitätsklasse 3 empfohlen, die eine verbesserte Stabilität und Sicherheit beim Gehen auf unebenen Untergründen benötigen.

Natürlich gibt es Ausnahmen und wir möchten bei unseren Empfehlungen die einzigartigen, individuellen Umstände berücksichtigen. Einige Anwender der Mobilitätsklassen 2 und 4* profitieren möglicherweise von der verbesserten Stabilität des Echelon. Diese Entscheidung sollte jedoch auf ausreichend begründet werden.

*(Gewichtslimit 100 kg. Bitte verwenden Sie stets die nächsthöhere Federkategorie als in der Auswahl des Federsets aufgelistet).

⚠ Um die Rutsch- und Stolpergefahr zu verhindern darf nur geeignetes Schuhwerk stets getragen werden, welches die Fußkosmetik fest umschließt.

⚠ Achten Sie darauf, Ihre Finger nicht einzuklemmen.

Indikation/Kontraindikation

Dieses Produkt ist nicht für Anwender der Mobilitätsklasse 1 und für Leistungssportarten geeignet, da solche Anwender eine speziell auf ihre Bedürfnisse entwickelte Prothese benutzen sollten.

Nur zur Verwendung durch einen Anwender

Stellen Sie sicher, dass der Anwender die Bedienungsanleitung, und insbesondere die Wartungsanweisungen verstanden hat.

Auswahlschema Federstärken

Mobilität	Gewicht								kg
	44-52	53-59	60-68	69-77	78-88	89-100	101-116	117-125	
3	1	2	3	4	5	6	7	8	Federset Kategorie

Mobilitätsklassen 3

Der Anwender besitzt die Fähigkeit oder das Potenzial sich mit veränderlicher Gehgeschwindigkeit fortzubewegen und dabei die meisten Umwelthindernisse zu überwinden, er besitzt außerdem die Fähigkeit sich im offenen Gelände zu bewegen und kann berufliche, therapeutische und sportliche Aktivitäten ausüben, welche die Prothese moderater, durchschnittlicher mechanischer Belastungen(über die einfache Fortbewegung hinaus) aussetzen.

Bitte beachten:

Sollte das ausgewählte Federset zwischen zwei Kategorien liegen- immer das nächsthöhere wählen.

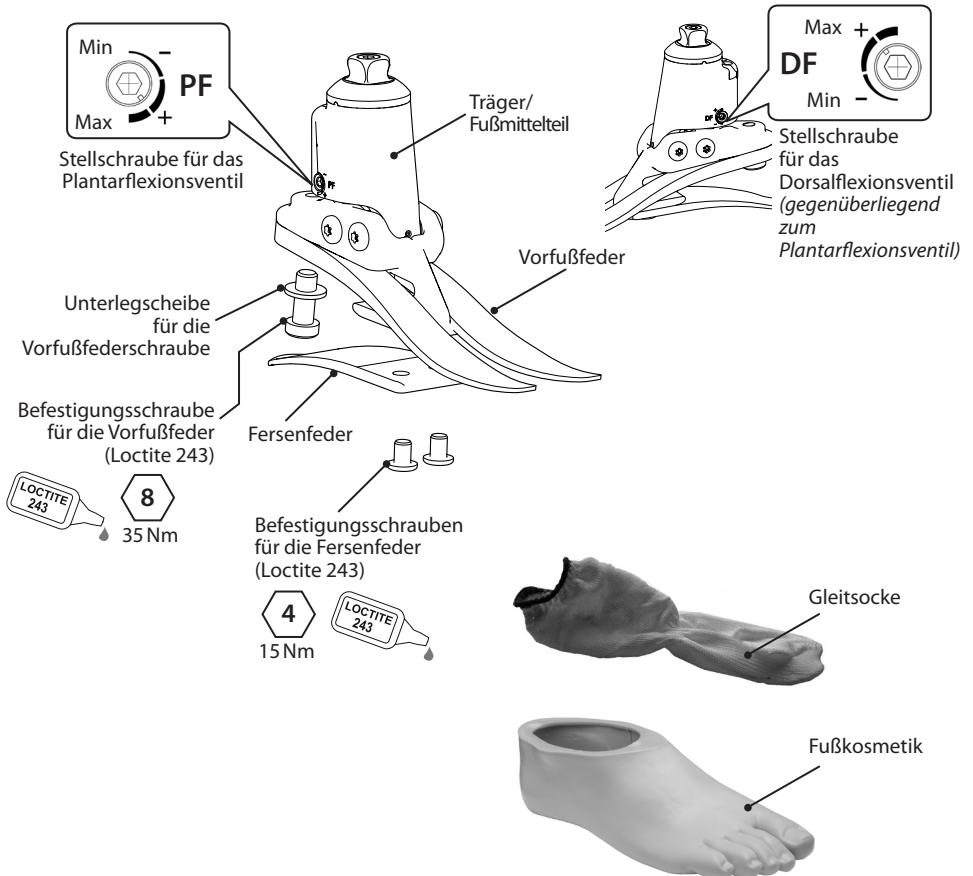
Die abgebildete Federset-Auswahlmatrix ist für unterschenkelamputierte Anwender empfohlen.

Für transfemoralamputierte Anwender empfehlen wir die Auswahl eines Federsets der nächstniedrigeren Kategorie, um die Funktion und den Bewegungsbereich des Knöchelelementes bestmöglich zu nutzen (siehe Tipps für die Anpassung Abschnitt 7).

2 Hauptteile

Wichtigste Bestandteile und Materialien:

- Hydraulischer Körper mit integrierter Pyramide (Aluminium/Edelstahl/Titan)
- Träger/Fußmittelteil (Aluminium/Edelstahl)
- Fersen- & Vorfußfedern (E-Karbon)
- Schrauben zur Befestigung der Federn (Titan/Edelstahl)
- Gleitsocke (UHM PE)
- Fußkosmetik (PU)



3 Funktionsweise

Der Echelon Fuß besteht aus einem hydraulischen Knöchelelement, welches mit einstellbaren Ventilen ausgestattet ist. Die Ventile können unabhängig voneinander eingestellt werden, um den hydraulischen Widerstand der Plantar- und Dorsalflexion entweder zu erhöhen oder zu reduzieren. Das Knöchelgelenk ist mit dem Träger über zwei Achsen verbunden. Die Fersen- und Vorfußfedern sind durch Schrauben aus Titan und Edelstahl am Träger befestigt. Der Fuß ist mit einer Socke aus UHM-PE umwickelt und dann von einer Fußkosmetik aus PU umgeben.

4 Wartung

Die Wartung muss durch Fachpersonal erfolgen.

Folgenden Wartungsmaßnahmen sind in Abständen von 12 Monaten vorzunehmen, bitte wie folgt vorgehen:

- Entfernen Sie Fußkosmetik und Gleitsocke und prüfen Sie das Produkt auf Schäden oder Verschleißerscheinungen. Ersetzen Sie entsprechende Bauteile bei Bedarf.
- Prüfen Sie, ob alle Schrauben entsprechend der Angaben angezogen sind, reinigen Sie die einzelnen Bauteile und setzen Sie alles entsprechend wieder zusammen.
- Prüfen Sie Fersen- und Vorfußfeder visuell auf Ablösung von Laminatschichten oder Abnutzung und ersetzen Sie entsprechende Bauteile bei Bedarf. Einige Oberflächenbeschädigungen können nach entsprechender Benutzungsdauer auftreten, diese beeinträchtigen die Funktion und Stabilität des Fußes jedoch nicht.

Der Anwender soll darauf hingewiesen werden, dass:

Jegliche Veränderungen (Beeinträchtigungen) in der Funktion dieses Fußes dem Fachpersonal mitgeteilt werden müssen.

Veränderungen in der Funktion sind:

- Erhöhter Bewegungswiderstand des Knöchelelementes
- Verminderte Knöchel-Stabilität (freie Bewegung)
- Ungewöhnliche Geräusche

Bei Veränderung des Anwendergewichtes oder der Mobilitätsklasse muss das Fachpersonal ebenfalls unverzüglich informiert werden.

Der Anwender muss darüber informiert werden, dass eine regelmäßige visuelle Sichtprüfung des Produktes erforderlich ist. Gebrauchsspuren, welche die Funktion des Produktes negativ beeinflussen könnten (z.B. erheblicher Verschleiß oder durch längeres Tragen verursachte übermäßige UV-Verfärbung), müssen dem Fachpersonal mitgeteilt werden.

Reinigungs- und Desinfektionshinweise

Das Produkt kann mit ph-neutraler Seife und handwarmem Wasser gereinigt werden. Aggressive Reinigungsmittel dürfen nicht verwendet werden, da diese insbesondere die Formstabilität der Fusskosmetik negativ beeinflussen könnten.

5 Nutzungseinschränkungen

Empfohlene Nutzungsdauer

Eine individuelle Risikoeinschätzung sollte aufgrund von Mobilitätsklasse und Nutzungsgrad durchgeführt werden.

Tragen von Lasten

Das Körpergewicht des Amputierten darf die angegebene Höchstgrenze nicht überschreiten.

Zusätzliche Tragelasten sind zu berücksichtigen.

Umwelt

Dieses Produkt ist bis 1m Tiefe wasserfest. Nach dem Einsatz im Salz- oder Chlorwasser und in Umgebungen mit z. B. Sand oder Kies muss das Produkt gründlich mit Süßwasser abgespült werden, um Verschleiß und Schäden an den beweglichen Teilen zu verhindern.

Achten Sie darauf, dass die Fußkosmetik nach jedem Gebrauch vollständig vom Wasser befreit und anschließend getrocknet wird. Es empfiehlt sich dazu die Prothese so zu drehen, dass das Wasser über die obere Öffnung der Fußkosmetik abfließen kann.



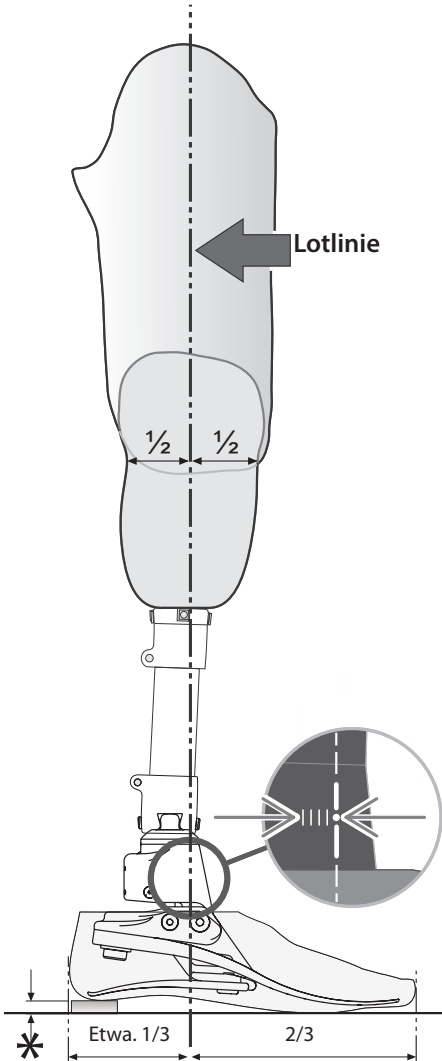
Das Produkt ist nur für die Nutzung bei Temperaturen zwischen -15°C und 50°C vorgesehen. Es wird empfohlen, dass nur Blatchford Produkte in Zusammenhang mit dem Echelon Fuß verwendet werden.

Zum Eintauchen in Wasser geeignet

6 Aufbau

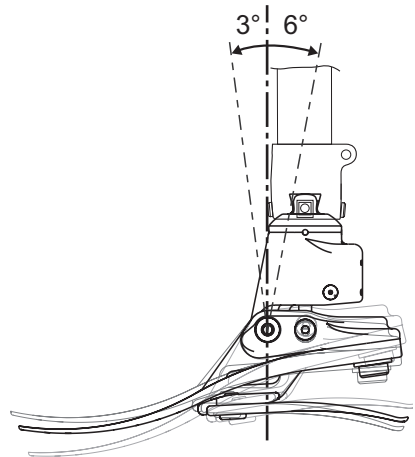
6.1 Aufbaurichtlinie

Beachten Sie bei der transfemorale Anpassung die entsprechende Aufbaurichtlinie gem. der Gebrauchsanweisung des Prothesenkniegelenkes. Achten Sie darauf, dass die Lotlinie, wie in der Abbildung dargestellt, zwischen den Pfeilen verläuft. Nach Bedarf kippen oder verschieben Sie die entsprechenden Bauteile.



Einstellung der Neigung

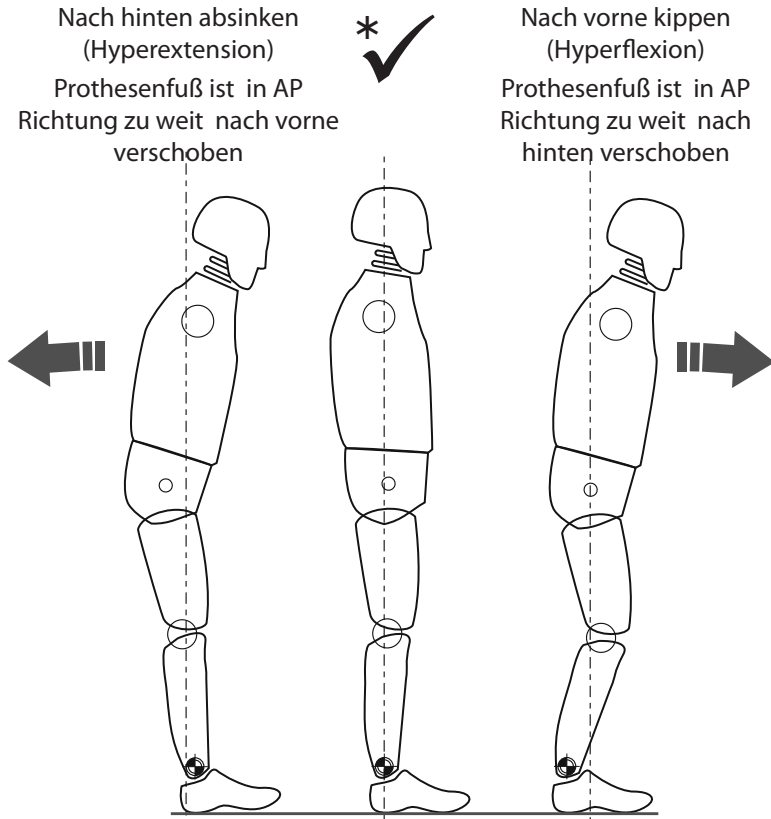
Bauen Sie die Prothese so auf, dass der gezeigte Bewegungsspielraum ermöglicht wird.



* Berücksichtigen Sie die Absatzhöhe der Schuhe des Anwenders

6.2 Biomimetische Anpassung

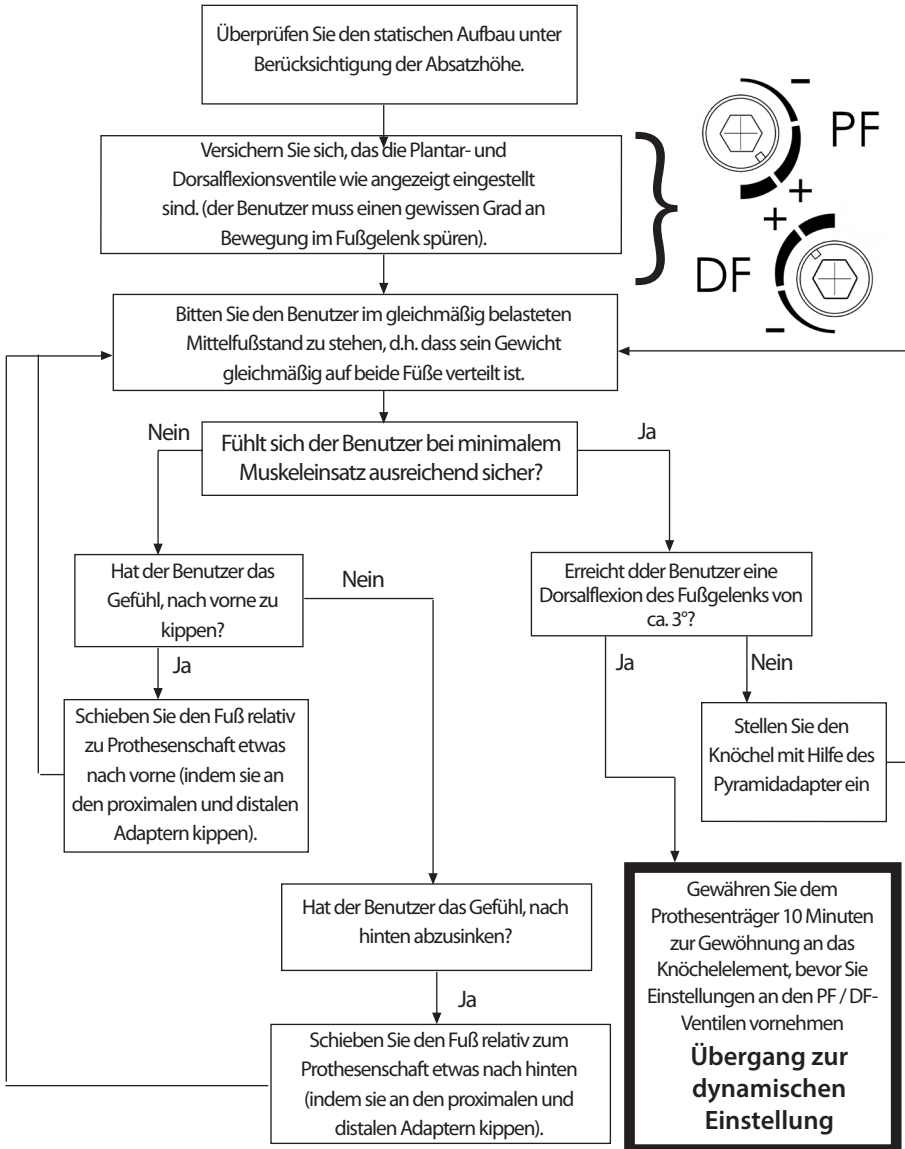
Ziel dieser Einstellung ist es, eine Art Balancepunkt im Mittelfußstand zu erreichen und den hydraulisch gedämpften Bewegungsspielraum einzustellen. Die Dämpfung dient zur Feineinstellung der Beweglichkeit beim Abrollen vom Fußgelenk auf den Fuß und ein bequemes Laufen zu ermöglichen. Nach sachgemäßer Einstellung sollte der Benutzer feststellen, dass er das Fußgelenk trotz der größeren Anzahl von Möglichkeiten zur Einstellung des Bewegungsspielraums nicht stärker kontrollieren muss.



* Stellen Sie sicher, dass der Benutzer gleichmäßig belastet und nicht an der Dorsalflexionsgrenze ist.

6.3 Biomimetrische Einstellung

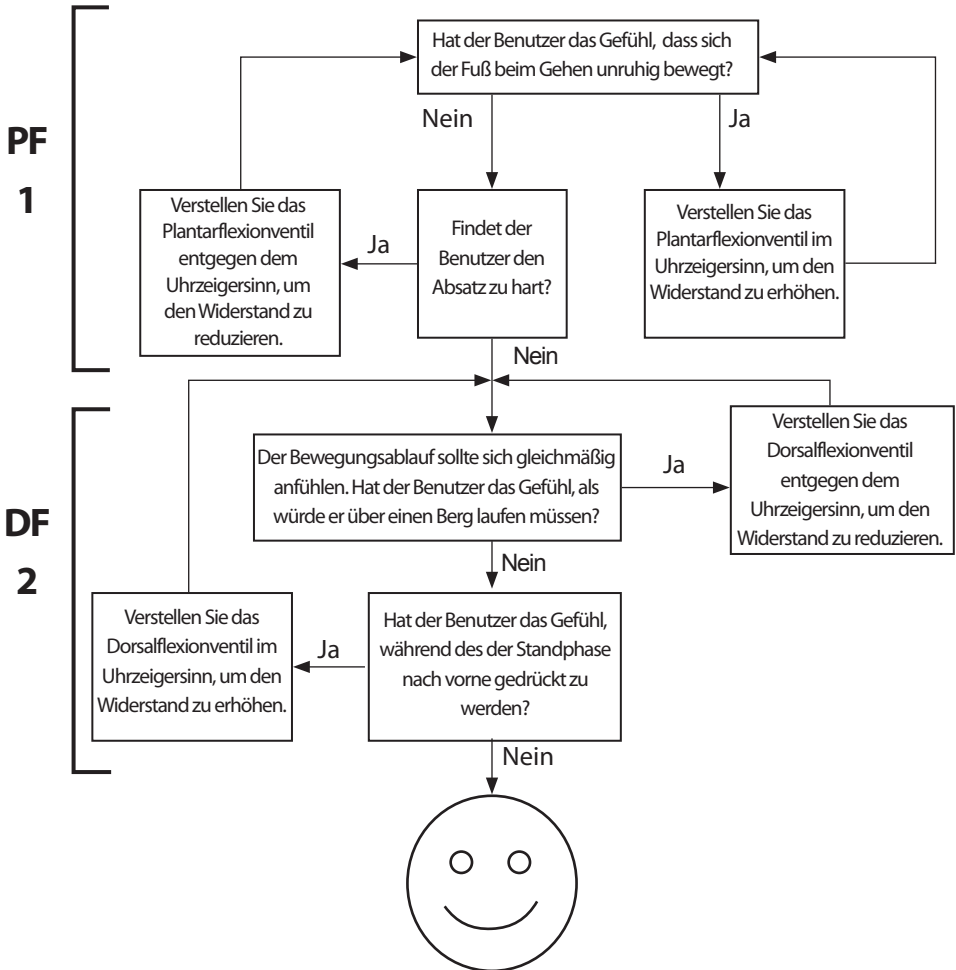
Bitte beachten Sie bei der statischen Einstellung, dass der Benutzer einen sicheren Halt hat und sich z.B. an Unterarmstützen oder am Barren festhalten kann. Dies gilt nur für die statische Einstellung.



Benutzen Sie die Einstellung für die statische Einstellung und Standpase. Die Prothese sollte den Benutzer motivieren, ein gewisses Gleichgewichtsgefühl während des Stehens zu gewinnen.

6.4 Dynamische Einstellung

Einstellung der hydraulischen Ventile. Der Benutzer sollte das Gefühl haben, dass sich das Fußgelenk während des Laufzyklus im Einklang mit dem Körper bewegt. Der Benutzer sollte sich nicht anstrengen müssen, um den hydraulischen Widerstand der des Knöchelelementes zu überwinden. Richtlinien



Richtlinien

Nach Beendigung der dynamischen Einstellung, sollten Sie den Prothesenfuß auf unebenen Flächen und Treppen testen. Stellen Sie sicher, dass der Benutzer mit seinen normalen Gegebenheiten im verschiedenen Gelände bequem zurecht kommt.

Wenn der Benutzer mit dem Komfort, der Benutzerfreundlichkeit oder dem Bewegungsspielraum des Fußgelenks unzufrieden ist, sollten Sie die entsprechenden Einstellungen anpassen.

7 Tipps für die Anpassung

Die korrekte Einstellung (A-P Position), der Bewegungsspielraum (Verhältnis von Plantar- und Dorsalflexion) und die Einstellung der hydraulischen Werte sind ausschlaggebend, um ein bequemes Abrollen und korrekte Neigungsanpassung zu erhalten (siehe 6.3)

Die Federn des Echelon Fußes werden zusammen mit Fersen- und Vorfußfedern derselben Kategorie geliefert. Wenn Sie nach Ausführung der nachfolgenden Anleitungen weiterhin Probleme mit der Funktion haben, setzen Sie sich bitte mit dem Blatchford Verkaufsteam in Ihrer Region in Verbindung.

Folgende Erscheinungen:

Falsche Feder-Auswahl

Falsche A-P Ausrichtung

Falsches Verhältnis von Plantar- und Dorsalflexion

... haben einen negativen Einfluss auf Funktionsweise und Stabilität des Fußes.

	Symptom	Abhilfe
1.	<ul style="list-style-type: none"> • Ein zu starkes Einsinken beim Fersenauftritt • Schwierigkeiten sanft und gleichmäßig in die mittlere Standphase zu kommen • Der Benutzer hat das Gefühl, aufwärts gehen zu müssen, und der Vorfuß fühlt sich unverhältnismäßig lang an 	<ul style="list-style-type: none"> • Erhöhung des Widerstands der Plantarflexion • Überprüfung der A-P Ausrichtung; bitte achten Sie darauf, dass der Fuß nicht zu weit nach vorne positioniert ist • Überprüfung des Verhältnisses der Bewegung von Plantar- und Dorsalflexion; bitte achten Sie darauf, dass der Plantarflexion Bewegungsspielraum nicht zu groß ist • Prüfen Sie, ob die Feder-Kategorie nicht zu weich ist, wenn ja bitte höhere Kategorie benutzen
2.	<ul style="list-style-type: none"> • Übergang vom Fersenauftritt in die mittlere Standphase erfolgt zu schnell • Schwierigkeiten, die Energie des Fußes beim Fersenauftritt zu kontrollieren (verminderte Knie-Stabilität) • Benutzer hat das Gefühl, dass die Ferse zu hart und der Vorfuß zu kurz sind 	<ul style="list-style-type: none"> • Reduzieren Sie den Widerstands der Plantarflexion • Überprüfen Sie den A-P Ausrichtung; bitte achten Sie darauf, dass der Fuß nicht zu weit nach hinten positioniert ist • Prüfen Sie das Verhältnis der Bewegung von Plantar- und Dorsalflexion; bitte achten Sie darauf, dass es ausreichend Bewegungsspielraum in die Plantarflexion gibt • Prüfen Sie, ob die Federkategorie nicht zu hart für das Gewicht und den Aktivitätsgrad des Patienten ist, wenn ja bitte niedrigere Kategorie benutzen
3.	<p>Fersenauftritt und Schrittablauf fühlen sich O.K. an, aber:</p> <ul style="list-style-type: none"> • Vorfuß fühlt sich zu weich an • Vorfuß fühlt sich zu kurz an • Der Benutzer hat das Gefühl, abwärts zu müssen, eventuell mit verminderter Kniestabilität • Mangelnde Energierückgabe 	<ul style="list-style-type: none"> • Erhöhen Sie den Dorsalflexionwiderstand • Überprüfen Sie den A-P Ausrichtung; bitte achten Sie darauf, dass der Fuß nicht zu weit nach hinten positioniert ist • Prüfen Sie das Verhältnis der Bewegung von Plantar- und Dorsalflexion; bitte achten Sie darauf, dass der Dorsalflexion Bewegungsspielraum nicht zu groß ist • Prüfen Sie, ob die Federkategorie nicht zu weich für das Gewicht und den Aktivitätsgrad des Patienten ist, wenn ja bitte höhere Kategorie benutzen

	Symptom	Abhilfe
4.	<ul style="list-style-type: none"> • Vorfuß fühlt sich zu hart an • Vorfuß fühlt sich zu lang an • Der Benutzer hat das Gefühl aufwärts gehen zu müssen. 	<ul style="list-style-type: none"> • Reduzieren Sie den Dorsalflexionwiderstand • Überprüfen Sie den A-P Ausrichtung; bitte achten Sie darauf, dass der Fuß nicht zu weit nach vorne positioniert ist • Prüfen Sie das Verhältnis der Bewegung von Plantar- und Dorsalflexion; bitte achten Sie darauf, dass es ausreichend Bewegungsspielraum in der Dorsalflexion gibt • Prüfen Sie, ob die Federkategorie nicht zu hart für das Gewicht und den Aktivitätsgrad des Patienten ist, wenn ja bitte niedrigere Kategorie benutzen

8 Montageanleitung



Achten Sie darauf, Ihre Finger nicht einzuklemmen.

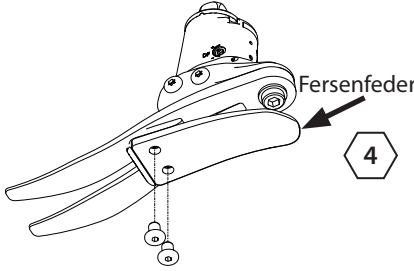
Demontage der Fußkosmetik



8 Montageanleitung (Fortsetzung)

Austausch der Federn

3

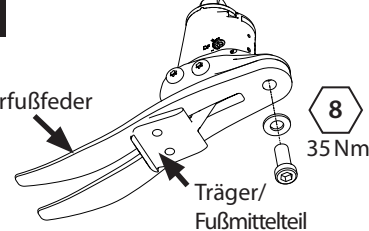


Fersenfeder

4

Entfernen Sie die Fersenfeder und die Schrauben.

4



Vorfußfeder

8 35 Nm

Träger/
Fußmittelteil

Entfernen der Vorfußfederschrauben und wechseln Sie die Vorfußfeder aus. Für das Zusammensetzen verwenden Sie Loctite 243 (926012) und sichern die Schrauben mit 35 Nm.

5



4 15 Nm

Setzen Sie dies mit der ausgewechselten Fersenfeder zusammen, Verwenden Sie Loctite 243 (926012) und sichern die Schrauben mit 15 Nm drehen.

6



Kennzeichnen Sie die entsprechenden Linien mit einem schwarzen Markierstift, so dass die richtige Gelenkfederkategorie erkennbar ist.

8

7

Wenn eine Schaumstoffkosmetik angepasst werden soll, rauhen Sie die Oberfläche der Fußkosmetik auf, um eine optimal Klebefläche zu erhalten.



8

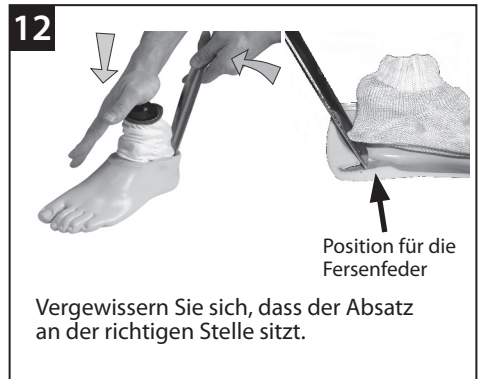


928017

Fetten Sie die Vorfuß- und Fersenfedern nach Bedarf ein (die Fußkosmetik ist vorgefettet).

Ziehen Sie die Gleitsocke über das Fußinnenteil wie in der Abbildung dargestellt.

8 Montageanleitung (Fortsetzung)



Wenn eine weiterführende Kosmetik erforderlich ist, wenden Sie sich bitte an das Blatchford Verkaufsteam.

9 Technische Daten

Betriebstemperatur: -15 °C bis 50 °C

Gewicht der Komponenten: 900 g
(bei Fussgröße 26N)

Mobilitätsklassen: 3

Maximales Körpergewicht: 125 kg

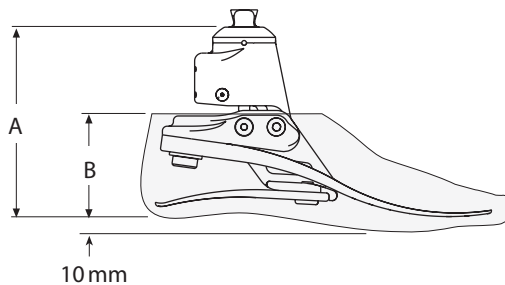
Proximale Verbindung: Pyramide (Blatchford)

Bereich der Knöchel-Bewegung: 6° Plantar - bis 3° Dorsalflexion

Aufbauhöhe: (22–24cm) 115 mm
(25–26cm) 120 mm
(27–30cm) 125 mm

Absatzhöhe: 10 mm

Aufbauhöhe



Größen	A
22–24	115 mm
25–26	120 mm
27–30	125 mm

Größen	B
22–26	65 mm
27–28	70 mm
29–30	75 mm

10 Bestellinformationen

Bestellcode

EC	25	L	N	3	S
	Größe	Seite (L/R)	Weite* (N/W)	Federset Kategorie	Gespreizte Größeze

Erhältlich von Größe 22 bis Größe 30:
EC22L1S bis EC30R8S
EC22L1SD bis EC30R8SD

*Nur für die Fußgrößen 25-27 erhältlich. Für alle anderen Fußgrößen, das Feld „Weite“ weglassen.

(für dunkel hinzufügen 'D')

z.B. EC25LN3S, EC22R4S, EC27RW4SD

Federsets				
Rate	Fußgrößen			
	Klein (S)	Mittel (M)	Groß (L)	Extra groß (XL)
	22-24	25-26	27-28	29-30
Set 1	539801S	539810S	539819S	539828S
Set 2	539802S	539811S	539820S	539829S
Set 3	539803S	539812S	539821S	539830S
Set 4	539804S	539813S	539822S	539831S
Set 5	539805S	539814S	539823S	539832S
Set 6	539806S	539815S	539824S	539833S
Set 7	539807S	539816S	539825S	539834S
Set 8	539808S	539817S	539826S	539835S

Fußkosmetik (für dunkel hinzufügen 'D')			Gleitsocke
Größe/Seite	Schmale	Große	
22L	539038S	-	531011
22R	539039S	-	
23L	539040S	-	
23R	539041S	-	
24L	539042S	-	
24R	539043S	-	
25L	539044SN	539044SW	
25R	539045SN	539045SW	
26L	539046SN	539046SW	
26R	539047SN	539047SW	
27L	539048SN	539048SW	532811
27R	539049SN	539049SW	
28L	-	539050S	
28R	-	539051S	
29L	-	539052S	
29R	-	539053S	
30L	-	539054S	
30R	-	539055S	

Haftung

Der Hersteller weist darauf hin dass das Produkt nur unter den angegebenen Bedingungen und für genannten Verwendungszweck benutzt werden darf. Das Produkt muss entsprechend der mit dem Produkt gelieferten Anleitungen gewartet werden. Bei unsachgemäßer Handhabung und jeglicher Veränderung des Produktes erlischt die Gewährleistung. Der Hersteller haftet nicht für Schäden, die durch den Einsatz von Kombinationen mit Komponenten, die vom Hersteller nicht autorisiert wurden, entstanden sind.

CE-Konformität

Das Produkt entspricht den Anforderungen der 93/42/EWG Richtlinien für medizinische Produkte. Dieses Produkt wurde entsprechend der Klassifikationskriterien, die in Anhang IX der Richtlinien aufgeführt werden, als Produkt der Klasse I eingestuft. Die Konformitäts-Erklärung wurde deshalb von Blatchford Products Limited abgegeben, mit alleiniger Verantwortung gemäß Anhang VII der Richtlinien.

Garantie

Wenn nicht anders angegeben, beträgt die Garantiezeit für den Echelon Fuß 36 Monate, der Fußkosmetik 12 Monate und der Gleitsocke 3 Monate. Der Anwender muss darüber informiert werden, dass Änderungen oder Modifikationen, die nicht ausdrücklich genehmigt wurden, Ausnahmeregelungen und Gewährleistungen unwirksam werden lassen. Die aktuelle und vollständige Garantieerklärung finden Sie auf der Website von Blatchford.

Umweltaspekte

Insofern möglich, sollten die Komponenten nach den lokalen Abfallentsorgungsrichtlinien wiederverwertbar entsorgt werden.

Registrierte Adresse des Herstellers

Blatchford Products Limited, Lister Road, Basingstoke RG22 4AH, UK.

1 Descrizione e finalità

IT

Applicazione

Le presenti istruzioni sono destinate ai professionisti ortopedici.

Il piede Echelon è destinato esclusivamente all'utilizzo nell'ambito di una protesi per arto inferiore.

Il presente dispositivo si auto-allinea entro un certo limite su vari terreni e in caso di sostituzione della calzatura. Consente di migliorare l'oscillazione e la simmetria posturale, allentando le pressioni anomale sull'interfaccia dell'invasatura. Piede a moderata restituzione di energia che consente un movimento multiassiale e della caviglia. Le lamine indipendenti di tallone e avampiede consentono un certo grado di deflessione assiale. La lamina separata consente un buon adattamento al terreno.

Il presente dispositivo è raccomandato per quei pazienti in grado di raggiungere il livello di attività 3 che possono beneficiare della migliore stabilità e avere maggiore sicurezza sulle superfici irregolari.

Esistono naturalmente eccezioni e nella nostra raccomandazione intendiamo tenere conto delle singole circostanze particolari. Inoltre, saranno molti i pazienti amputati a livello di attività 2 e 4* che potranno beneficiare della migliore stabilità offerta da Echelon, ma tale decisione dovrà essere ben ponderata e valutata su elementi accurati.

*(peso massimo del paziente 100 kg, utilizzando sempre una categoria superiore rispetto a quella indicata nella tabella per la scelta del set di lamine).

⚠ Per minimizzare il rischio di scivolare o di inciampare, si raccomanda di utilizzare sempre calzature adeguate che racchiudano in maniera sicura il piede protesico.

⚠ Prestare sempre attenzione agli eventuali rischi di intrappolamento delle dita.

Controindicazioni

Il presente dispositivo potrebbe non essere adatto ai soggetti 1 o in caso di gare sportive, poiché tali pazienti saranno maggiormente tutelati da protesi specificamente progettate e ottimizzate in base alle specifiche necessità.

Destinato ad un unico paziente

Accertarsi che il paziente abbia compreso tutte le istruzioni per l'uso, richiamando in particolare l'attenzione sulla sezione relativa alla manutenzione.

Selezione del set di lamine

Peso del paziente

Attività	44-52	53-59	60-68	69-77	78-88	89-100	101-116	117-125	kg
	100-115	116-130	131-150	151-170	171-195	196-220	221-255	256-275	lbs
3	1	2	3	4	5	6	7	8	Set di lamine

Livello di attività 3

Ha l'abilità o la potenzialità di camminare con andatura variabile. Questa categoria di camminatori riesce a superare la maggior parte delle barriere ambientali e potrebbe avere la possibilità, in base al percorso terapeutico o al proprio desiderio personale, di praticare attività che richiedono l'utilizzo della protesi al di là della normale locomozione.

Nota:

In caso di dubbi nella selezione, optare sempre per la lamina di grado maggiore

La tabella di selezione della lamina è riferita a pazienti transtibiali

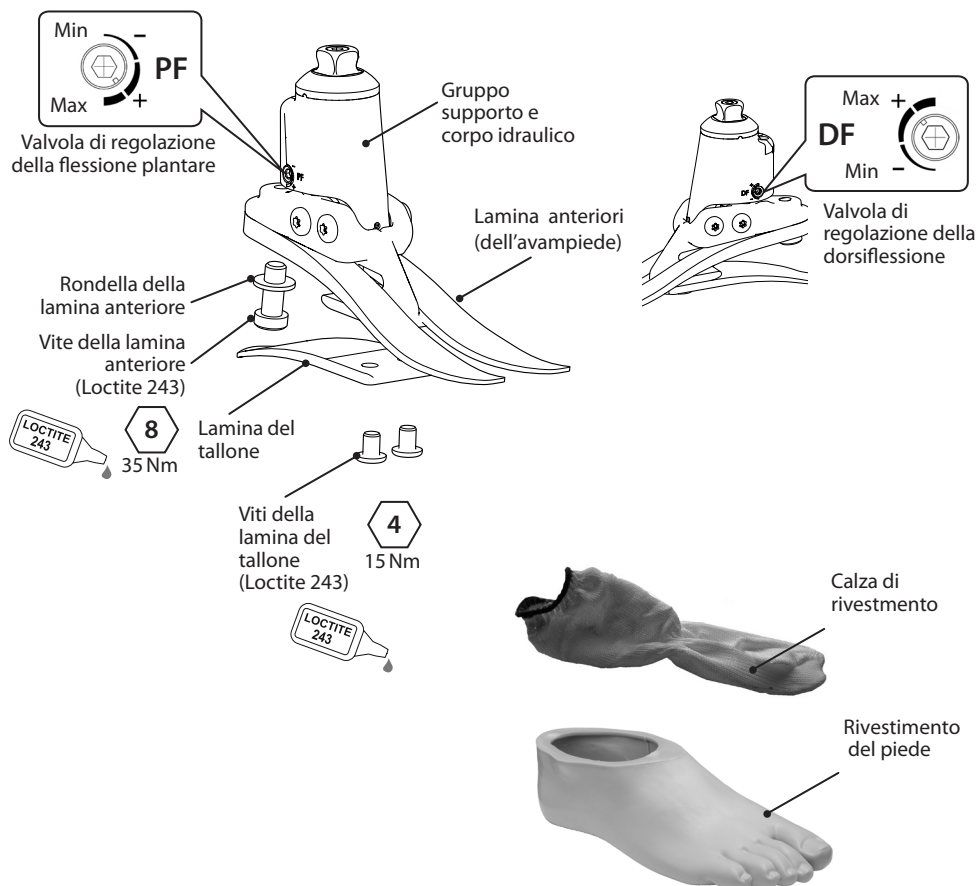
Per pazienti transfemorali, suggeriamo di scegliere un set di lamine di un grado inferiore.

Fare riferimento ai consigli contenuti nella Sezione 7 per assicurare una funzionalità ed una gamma di movimenti adeguati

2 Struttura

Componenti Principali:

- Gruppo corpo idraulico, compresa la piramide (alluminio/acciaio inossidabile/ titanio)
- Gruppo supporto (alluminio/acciaio inossidabile)
- Lamine tallone e avampiede (E-carbon)
- Viti di fissaggio delle lamine (titanio /acciaio inossidabile)
- Calza di scorrimento (UHM PE)
- Rivestimento del piede (PU)



3 Funzione

Il piede Echelon si compone di un gruppo corpo idraulico contenente valvole idrauliche regolabili. È possibile regolare le valvole singolarmente per aumentare o ridurre la resistenza idraulica della flessione plantare e dorsale. Il gruppo corpo idraulico è collegato al gruppo supporto mediante due perni girevoli. Le lamine di tallone e avampiede sono fissate al gruppo supporto mediante viti in titanio e acciaio inossidabile. Il piede è avvolto da una calza in UHM PE, circondata dal rivestimento del piede in poliuretano.

4 Manutenzione

La manutenzione deve essere svolta da personale competente.

Si raccomanda di eseguire le seguenti operazioni di manutenzione annualmente:

- Rimuovere il rivestimento del piede e la calza di scorrimento, ricercare eventuali danni o usura e sostituire se necessario.
- Controllare il livello di tenuta di tutte le viti, pulire e rimontare se necessario.
- Eseguire un controllo visivo della lamina del tallone e dell'avampiede, ricercando i segni di delaminazione o di usura e sostituire se necessario. Trascorso un periodo di utilizzo potrebbero presentarsi danni superficiali, che non influiscono sul funzionamento o sulla resistenza del piede.

Raccomandare al paziente di rivolgersi al proprio tecnico ortopedico in caso di variazione delle condizioni.

Qualsiasi variazione nelle prestazioni del presente dispositivo deve essere riferito al tecnico ortopedico.

Le variazioni delle prestazioni possono essere:

- Aumento della rigidità della caviglia
- Minore supporto della caviglia (movimento più libero)
- Qualsiasi rumore insolito

Inoltre si raccomanda di comunicare la proprio tecnico ortopedico qualsiasi variazione del peso corporeo o del livello di attività.

Informare il paziente di controllare visivamente il piede, e di riportare al proprio tecnico ortopedico eventuali segni di usura che potrebbero inficiarne il funzionamento. (ad esempio, una notevole usura o un'eccessiva decolorazione dovuta ad una prolungata esposizione ai raggi UV).

Pulizia:

Pulire le superfici esterne con un panno umido e detergente neutro; **non utilizzare** detergenti aggressivi.

5 Limiti di utilizzo

Durata prevista

È necessario effettuare una valutazione del rischio specifica in base all'attività e all'utilizzo.

Sollevamento carichi

Il peso e l'attività dei pazienti sono regolati dai limiti dichiarati.

Il peso trasportato dal paziente deve basarsi sulla valutazione del rischio specifico.

Ambiente

Il prodotto è resistente all'acqua fino 1 metro di profondità. Risciacquare abbondantemente con acqua dolce dopo l'utilizzo del dispositivo in ambienti abrasivi come ad esempio quelli contenenti sabbia per prevenire danni e usura prematura dei componenti mobili. Risciacquare abbondantemente con acqua dolce dopo l'utilizzo del prodotto in acqua salata o clorata. I piedi devono essere opportunamente rifiniti per prevenire, laddove possibile, l'entrata di acqua all'interno del rivestimento del piede. Se ciò dovesse verificarsi, rivoltare l'arto e lasciarlo asciugare prima di un nuovo utilizzo.



Utilizzare esclusivamente a temperature comprese tra -15°C e 50°C.

Si raccomanda l'utilizzo esclusivo di prodotti Blatchford in relazione a Echelon.

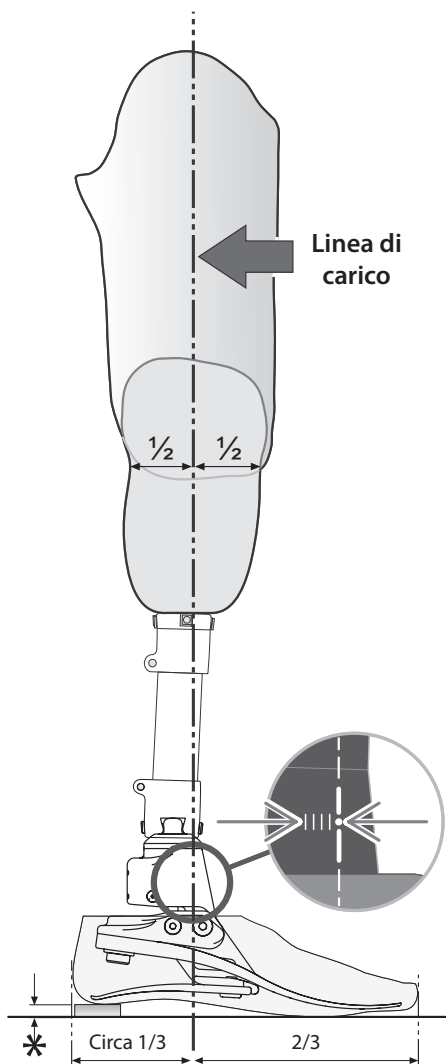
Adatto per immersione

6 Allineamento

6.1 Allineamento statico

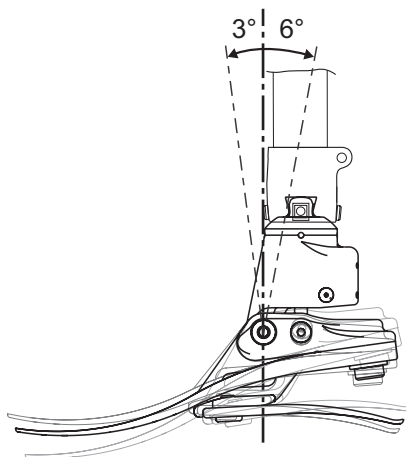
Allineare i dispositivi transfemorali in base alle istruzioni di montaggio fornite con il ginocchio.

Mantenere la linea di carico entro i perni come illustrato, utilizzando se necessario i dispositivi di scorrimento e/o di inclinazione.



Impostazione dell'inclinazione

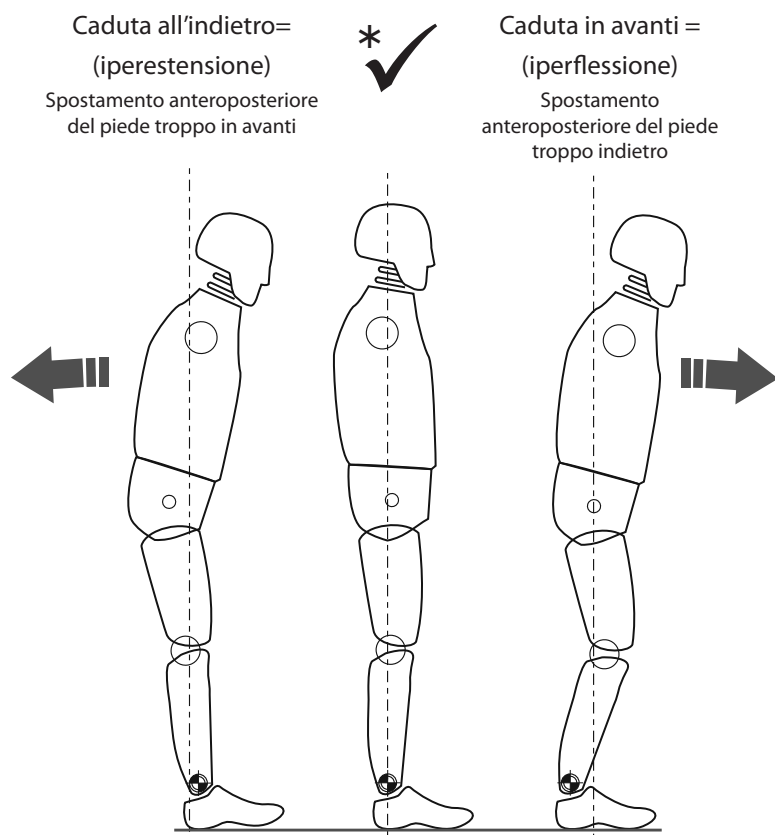
Allineare la protesi in modo da ottenere la gamma di movimenti indicata.



* considerare 10 mm per l'altezza del tallone

6.2 Allineamento biomimetico

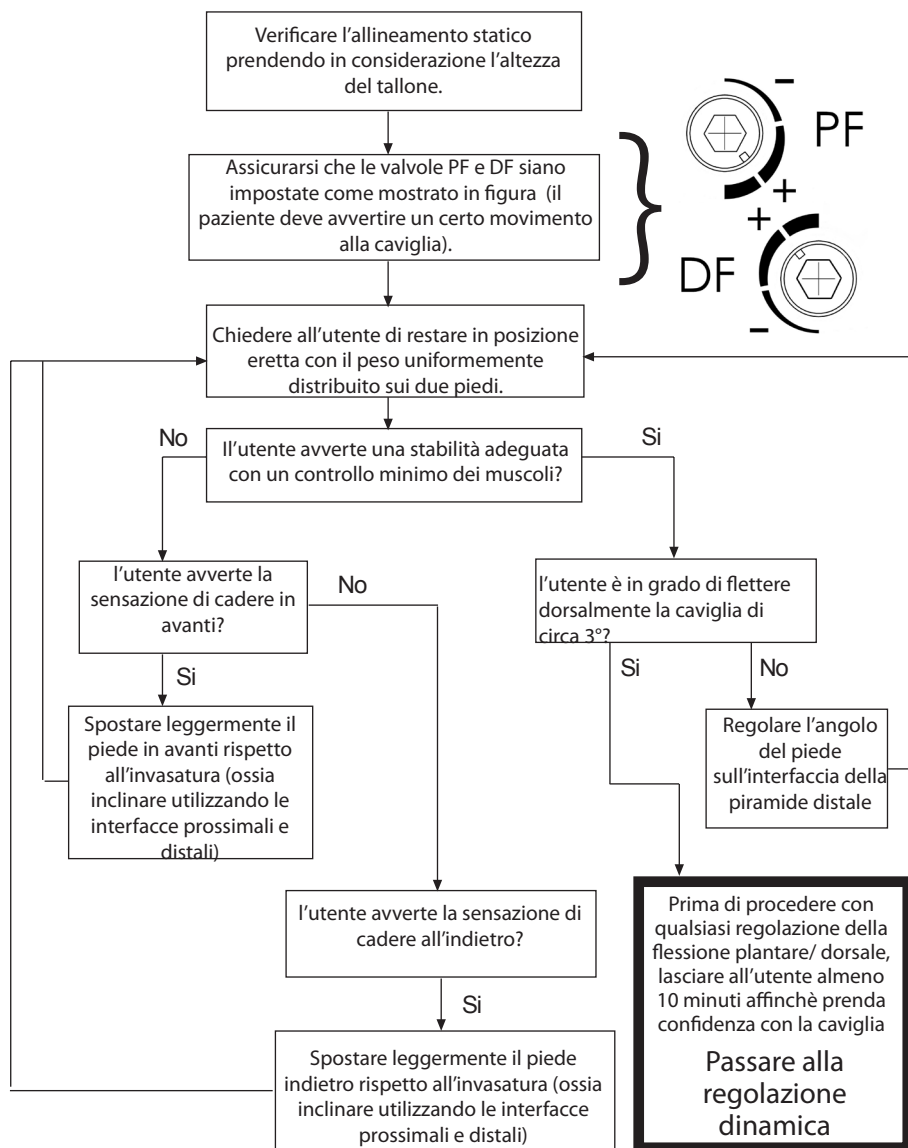
L'allineamento serve a ottenere un "punto di equilibrio" in posizione eretta e impostare l'ampiezza del movimento controllato dall'idraulica. Lo scopo della regolazione dello smorzamento è la messa a punto delle caratteristiche di rigidità e di movimento caviglia-piede per ottenere un'andatura confortevole. A seguito dell'aumento della gamma di movimento consentito dalla caviglia l'utente potrebbe avvertire il bisogno di un maggiore controllo volontario e, durante la regolazione, sentire inizialmente la caviglia scombinata. Tale inconveniente si risolve non appena venga raggiunta una regolazione soddisfacente.



* Accertarsi che l'utente sia rilassato e non poggii al limite della flessione dorsale

6.3 Regolazione biomimetica

N.B: eseguire l'allineamento statico assicurandosi che l'utente si serva di sostegni quali le barre parallele. Questo allineamento si svolge solo in posizione eretta.

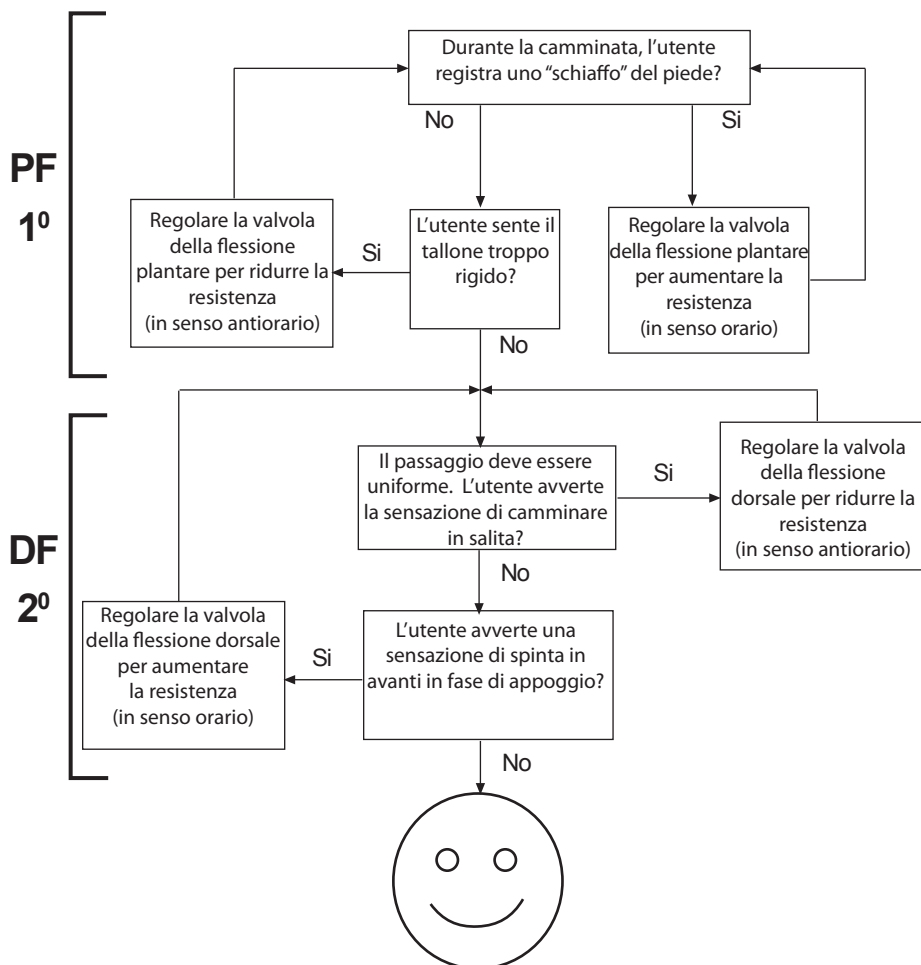


Utilizzare, se necessario, dispositivi di scorrimento e/o inclinazione per ottenere l'allineamento statico e la posizione eretta.

Il dispositivo deve stimolare un certo grado di autoregolazione per ottenere un senso di equilibrio dell'utente in posizione eretta.

6.4 Regolazione dinamica

Regolazione delle valvole idrauliche. L'utente deve avvertire il movimento della caviglia con il corpo per l'intero ciclo dell'andatura e non ci deve essere alcun sforzo da parte del paziente per superare la resistenza idraulica della caviglia.



Linee guida

Dopo la regolazione dinamica, provare il sistema piede/caviglia su rampe e gradini. Accertarsi che l'utente si trovi a proprio agio con il tipo di terreno che si presume dovrà normalmente affrontare.

Se l'utente riferisce un qualsiasi problema relativo alla comodità, all'utilizzo o alla gamma dei movimenti della caviglia, regolare di conseguenza.

7 Indicazioni di montaggio

L'allineamento corretto (posizione Antero Posteriore), l'ampiezza del movimento (distribuzione dalla flessione plantare alla dorsale) e la regolazione delle impostazioni idrauliche sono fondamentali per ottenere un movimento fluido ed un corretto adattamento alle diverse inclinazioni del terreno. (vedere 6.3)

Le lamine del piede Echelon sono fornite con le lamine del tallone e dell'avampiede della stessa durezza. Se dopo aver seguito le seguenti istruzioni i problemi funzionali persistessero, rivolgersi al servizio clienti locale.

Il verificarsi di una delle seguenti condizioni:

- Scelta della lamina non corretta
- Allineamento spostamento A-P non corretto
- Distribuzione non corretta dell'ampiezza della flessione plantare e dorsale
.... produrrà effetti negativi su funzione e stabilità.

	Sintomo	Rimedio
1.	<ul style="list-style-type: none">• Nella fase di appoggio del tallone, il piede "sprofonda"• Difficoltà di ottenere una progressione fluida verso la fase di appoggio completo del piede• I pazienti hanno la sensazione di camminare in salita o avvertono l'avampiede eccessivamente lungo	<ul style="list-style-type: none">• Aumentare la resistenza della flessione plantare• Verificare l'allineamento dello spostamento A-P; assicurarsi che il piede non sia posizionato troppo anteriormente• Controllare la distribuzione del movimento della flessione plantare e dorsale; assicurarsi che l'ampiezza della flessione plantare non risulti eccessiva• Controllare che la categoria della lamina non sia troppo morbida, in tal caso montare una lamina di grado superiore
2.	<ul style="list-style-type: none">• Progressione troppo rapida dall'appoggio del tallone alla posizione centrale• Difficoltà nel controllo dell'energia del piede all'appoggio del tallone (minore stabilità del ginocchio)• Il paziente avverte il tallone eccessivamente rigido, o la lamina anteriore troppo corta.	<ul style="list-style-type: none">• Ridurre la resistenza della flessione plantare• Verificare l'allineamento dello spostamento A-P; assicurarsi che il piede non sia posizionato troppo posteriormente• Controllare la distribuzione del movimento della flessione plantare e dorsale; assicurarsi che vi sia sufficiente ampiezza della flessione plantare• Controllare che la categoria della lamina non sia eccessivamente rigida per il peso e l'attività del paziente, in tal caso montare una lamina di grado inferiore

	Sintomo	Rimedio
3.	<ul style="list-style-type: none"> • La sensazione di progressione e contatto del tallone è corretta, ma: • Il paziente sente l'avampiede troppo morbido • Il paziente sente l'avampiede troppo corto • Il paziente avverte la sensazione di camminare in discesa, spesso associata ad una minore stabilità del ginocchio • Mancanza di restituzione di energia 	<ul style="list-style-type: none"> • La sensazione di progressione e contatto del tallone è corretta, ma: • Aumentare la resistenza della dorsiflessione • Verificare l'allineamento dello spostamento A-P; assicurarsi che il piede non sia posizionato troppo posteriormente • Controllare la distribuzione del movimento della flessione plantare e dorsale; assicurarsi che l'ampiezza della dorsiflessione non sia eccessiva • Controllare che la categoria della lamina non sia eccessivamente morbida per il peso e l'attività del paziente, in tal caso montare una lamina di grado superiore
4.	<ul style="list-style-type: none"> • l'avampiede è troppo rigido • Il paziente sente l'avampiede troppo lungo • Sensazione di camminare in salita 	<ul style="list-style-type: none"> • Ridurre la resistenza della dorsiflessione • Verificare l'allineamento dello spostamento A-P; assicurarsi che il piede non sia posizionato troppo anteriormente • Controllare la distribuzione del movimento della flessione plantare e dorsale; assicurarsi che l'ampiezza della dorsiflessione sia sufficiente • Controllare che la categoria della lamina non sia eccessivamente rigida per il peso e l'attività del paziente, in tal caso montare una lamina di grado superiore

8 Istruzioni di montaggio



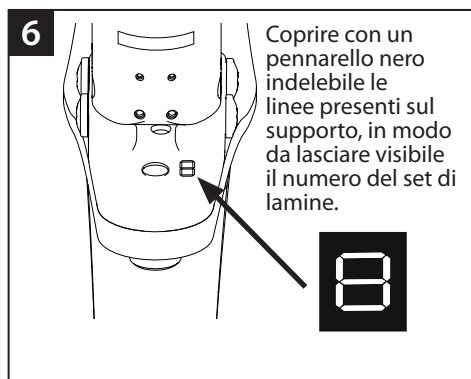
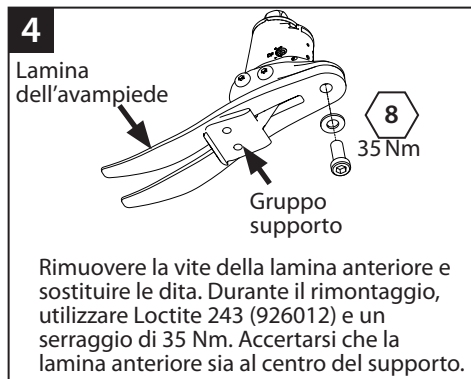
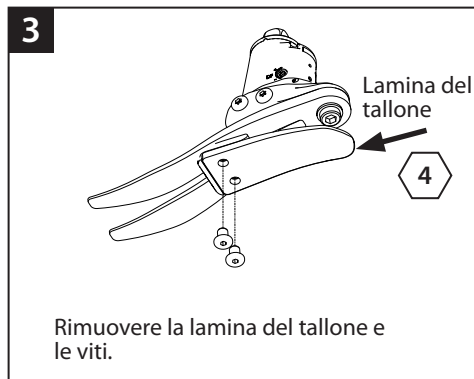
Prestare sempre attenzione agli eventuali rischi di intrappolamento delle dita.

Rimozione del rivestimento del piede



8 Istruzioni di montaggio (continua)

Sostituzione della lamina



8 Istruzioni di montaggio *(continua)*

9



Far scivolare il telaio e la lamina posteriore all'interno del rivestimento del piede.

10



Posizione della lamina anteriore all'interno del rivestimento del piede.

11



Utilizzare una leva adeguata per aiutare la lamina del tallone a posizionarsi nel rivestimento del piede.

12



Fessura per l'alloggiamento della lamina del tallone

Accertandosi che la lamina del tallone sia agganciata nella fessura.

13



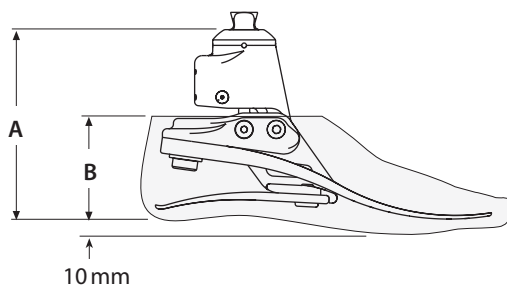
Sistemare la piastra di fissaggio dell'estetizzazione, come mostrato. Assicurarsi che la calza di scorrimento non resti intrappolata durante il montaggio del raccordo femmina corrispondente.

In caso di finitura estetica, contattare il vostro rivenditore Blatchford.

9 Dati Tecnici

Temperatura di esercizio:	-15 °C to 50 °C
Peso del componente (<i>Misura 26N</i>): (<i>il peso varia in base alla misura</i>)	900 g
Livello di attività:	3
Peso massimo del paziente:	125 kg
Collegamento prossimale:	Male Pyramid (Blatchford)
Ampiezza del movimento della caviglia:	flessione da 6° plantare a 3° dorsale
Ingombro Verticale:	(<i>sizes 22–24</i>) 115 mm (<i>sizes 25–26</i>) 120 mm (<i>sizes 27–30</i>) 125 mm
Altezza tallone:	10 mm

Lunghezza di montaggio



Misure	A
22–24	115 mm
25–26	120 mm
27–30	125 mm

Misure	B
22–26	65 mm
27–28	70 mm
29–30	75 mm

10 Informazioni per l'ordine

Esempio di ordine

EC	25	L	N	3	S
Misura	Lato (L/R)	Larghezza* (N/W)	Categoria set di lamine	Dita separate	

Disponibile dalla misura 22 alla misura size 30:
EC22L1S a EC30R8S
EC22L1SD a EC30R8SD

*Solo per le taglie 25-27. Per le altre taglie, non considerare la larghezza

(aggiungere "D" per un rivestimento del piede più scuro)

ad es. EC25LN3S, EC22R4S, EC27RW4SD

Kit lamine				
Durezza	Misure del piede			
	Piccolo (S)	Medio (M)	Grande (G)	Molto Grande (XL)
	22-24	25-26	27-28	29-30
Set 1	539801S	539810S	539819S	539828S
Set 2	539802S	539811S	539820S	539829S
Set 3	539803S	539812S	539821S	539830S
Set 4	539804S	539813S	539822S	539831S
Set 5	539805S	539814S	539823S	539832S
Set 6	539806S	539815S	539824S	539833S
Set 7	539807S	539816S	539825S	539834S
Set 8	539808S	539817S	539826S	539835S

Rivestimento del piede (per aggiungere scuro "D")			Calza di scorrimento	
Misura/Lato	Stretto	Largo		
22L	539038S	-	531011	
22R	539039S	-		
23L	539040S	-		
23R	539041S	-		
24L	539042S	-		
24R	539043S	-		
25L	539044SN	539044SW		
25R	539045SN	539045SW		
26L	539046SN	539046SW		
26R	539047SN	539047SW		
27L	539048SN	539048SW		532811
27R	539049SN	539049SW		
28L	-	539050S		
28R	-	539051S		
29L	-	539052S		
29R	-	539053S		
30L	-	539054S		
30R	-	539055S		

Chiave del regolatore (DF/PF) 4,0 A/F Chiave a brugola

940236

Responsabilità

Il produttore raccomanda l'utilizzo del dispositivo esclusivamente nelle condizioni specificate e per gli impieghi previsti. Il dispositivo deve essere sottoposto a manutenzione conformemente alle istruzioni per l'uso fornite con il dispositivo. Il produttore non è responsabile dei danni causati dalla combinazione dei componenti non autorizzati dal produttore.

Conformità CE

Il presente prodotto soddisfa i requisiti previsti dagli orientamenti 93/42/CEE per gli articoli medicali. Il presente prodotto è stato classificato come prodotto di classe I in base ai criteri di classificazione delineati nell'allegato IX degli orientamenti. La dichiarazione di conformità è stata quindi prodotta da Blatchford Products Limited con la sola responsabilità conformemente all'allegato VII degli orientamenti.

Garanzia e assistenza

L'Echelon è garantito per - 36 mesi - rivestimento del piede 12 mesi - calza di rivestimento 3 mesi. Il paziente deve essere informato che eventuali variazioni o modifiche non espressamente approvate possono comportare l'annullamento della garanzia e il decadimento delle licenze operative e delle esenzioni. Consultare sul sito web Blatchford la dichiarazione di garanzia completa vigente.

Aspetti Ambientali

Quando possibile, i componenti devono essere riciclati in accordo con le leggi locali sullo smaltimento dei rifiuti.

Indirizzo registrato dal produttore

Blatchford Products Limited, Lister Road, Basingstoke RG22 4AH, UK.

1 Descripción y finalidad

ES

Aplicación

Estas instrucciones son para el uso del técnico protésico.

El pie Echelon está diseñado para ser utilizado exclusivamente como parte de una prótesis de miembro inferior.

Este dispositivo proporciona auto alineación limitada de la prótesis sobre terreno variado y tras un cambio de calzado. Está diseñado para mejorar el balanceo postural y la simetría y, a la vez, aliviar las presiones anómalas sobre la superficie de contacto del encaje. Un pie con un retorno de la energía moderado con movimiento de tobillo multiaxial firme. Las ballestas de pie y talón independientes proporcionan algo de desviación axial. El dedo pulgar separado proporciona una buena adaptación con el suelo. Este dispositivo está recomendado para usuarios capaces de alcanzar un nivel de actividad 3 y que podrían beneficiarse de una mayor estabilidad y una mayor seguridad en superficies irregulares.

Naturalmente, hay algunas excepciones, y en nuestras recomendaciones pretendemos tener en cuenta circunstancias especiales e individuales. Algunos amputados de los niveles de actividad 2 y 4* podrían beneficiarse también de la mayor estabilidad que ofrece el Echelon, aunque esta decisión deberá tomarse de manera sensata y rigurosa.

*(peso máximo del usuario:100 kg; utilice siempre un índice de ballesta que esté una categoría por encima de la recomendada en la tabla de selección del conjunto de ballestas).

⚠ Para minimizar el riesgo de resbalar y tropezar, se debe usar calzado apropiado que se ajuste de manera segura en todo momento a la funda cosmética del pie.

⚠ Sea consciente en todo momento del peligro de que los dedos queden atrapados.

Contraindicaciones

Puede que este dispositivo no sea adecuado para individuos en el nivel de actividad 1 ni para acontecimientos de competición deportiva, ya que a estos tipos de usuarios les convendrá más una prótesis especialmente diseñada y optimizada para sus necesidades.

El Echelon está diseñado para ser utilizado por un único usuario.

Asegúrese de que el usuario entienda todas las instrucciones de uso y haga especial hincapié en la sección sobre mantenimiento.

Selección del Conjunto de Ballestas

actividad	Peso del usuario								kg
	44-52	53-59	60-68	69-77	78-88	89-100	101-116	117-125	
3	1	2	3	4	5	6	7	8	Conjunto de Ballestos

Nivel de Actividad 3

Tiene la habilidad o el potencial de caminar con ritmo variable
Los usuarios con nivel de actividad 3 tienen la habilidad de superar las barreras habituales del entorno, ejercitando actividades vocacionales, terapéuticas o ejercicios que requieran una prótesis apta para el uso más allá de la simple locomoción.

Nota:

Si duda sobre la elección entre dos categorías, elija el grado de dureza más alto.

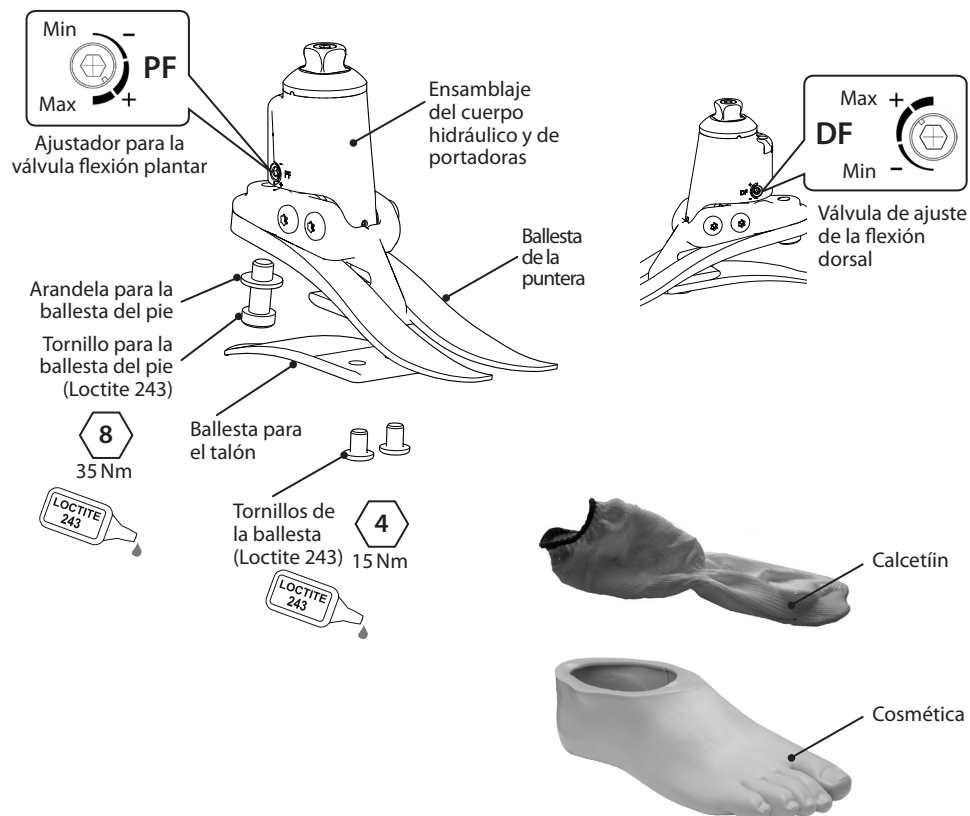
Las recomendaciones de nivel de dureza reflejadas son para usuarios transtibiales.

Para usuarios de transfemorales, se sugiere la selección de un nivel de dureza inferior, consulte la Sección 7, Consejos de montaje para asegurar un funcionamiento satisfactorio

2 Montaje

Componentes Principales:

- Ensamblaje del cuerpo hidráulico incluyendo la pirámide (Aluminio/Acero Inoxidable/ Titanio)
- Conjunto de portadoras (Aluminio/Acero Inoxidable)
- Ballestas del pie y del talón (E-Carbono)
- Tornillos de fijación de las ballestas (Titanio/ Acero Inoxidable)
- Calcetín para la cosmética (UHM PE)
- Cosmética del pie



3 Función

El Echelon comprende un ensamblaje de un cuerpo hidráulico que contiene válvulas hidráulicas ajustables. Las válvulas pueden ajustarse independientemente para aumentar o reducir la resistencia hidráulica de la flexión plantar o dorsal. El ensamblaje del cuerpo hidráulico está conectado al núcleo por dos pivotes. Las ballestas de pie y talón están unidas a las portadoras por medio de unos tornillos de titanio y acero inoxidable. El pie está envuelto en un calcetín UHM PE que está a su vez envuelto en una cubierta cosmética de PU.

4 Mantenimiento

El mantenimiento debe ser llevado a cabo por personal cualificado.

Se recomienda que se lleve a cabo un anual:

- Quitar la cosmética y, el calcetín, para comprobar si hay daños o desgaste que sugieran su replazamiento.
- Comprobar que todos los tornillos están bien ajustados, limpios y ajustarlos bien si necesario.
- Comprobar visualmente las ballestas del talón y del pie para ver si hay señales de deslaminación o desgaste y cambiarlas si es necesario. Puede que haya algún daño después de un cierto periodo de uso, esto no afecta a la función o la fuerza del pie.

La persona que lleva la prótesis debería ser avisada de que:

Cualquier cambio en el funcionamiento de este dispositivo debe reportarse al Técnico Ortopédico.

Cambios en el funcionamiento pueden incluir:

- Aumento en la rigidez del tobillo
- Reducción en el apoyo del tobillo (movimiento libre)
- Cualquier ruido inusual

El técnico debe ser también informado de cualquier cambio en peso corporal o nivel de actividad.

El usuario deberá ser advertido de que se recomienda una comprobación visual del pie, los signos de desgaste que puedan afectar a la función del pie deben ser reportados a su técnico protésico (por ejemplo, desgaste significativo o decoloración excesiva debida a la exposición por un largo periodo a los rayos UVA).

Limpieza:

Utilice un trapo húmedo y jabón suave para limpiar las superficies exteriores, no utilice limpiadores agresivos.

5 Limitaciones en el uso

Vida pretendida

Se debería llevar a cabo una evaluación de riesgo local basada en la actividad y el uso.

Levantar cargas

El peso del amputado y la actividad están gobernados por los límites indicados.

Llevar cargas por el amputado debería estar basado en una evaluación de riesgo local.

Eterno

Este producto es impermeable hasta una profundidad máxima de 1 metro.

Aclarar minuciosamente con agua limpia después de usarlo en entornos abrasivos que contengan por ejemplo arena o gravilla, para evitar el desgaste o daños a las piezas móviles. Aclarar minuciosamente con agua limpia después de usarlo en agua salada o que contenga cloro. Los productos para el pie debe acabarse de manera adecuada para evitar la entrada de agua en la cubierta cosmética del pie en la medida de lo posible. Si entrase agua en la carcasa, se deberá dar la vuelta al miembro y secarlo antes de volver a utilizarlo.



Apto para la inmersión

Para uso exclusivo entre -15 °C y 50 °C.

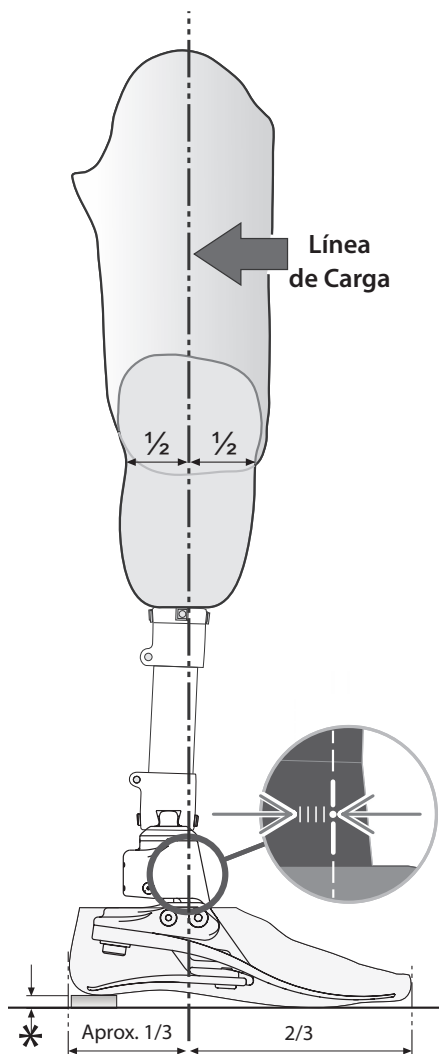
Se recomienda que solo se utilicen productos Blatchford junto con el Echelon.

6 Alineación de banco

6.1 Alineación de banco

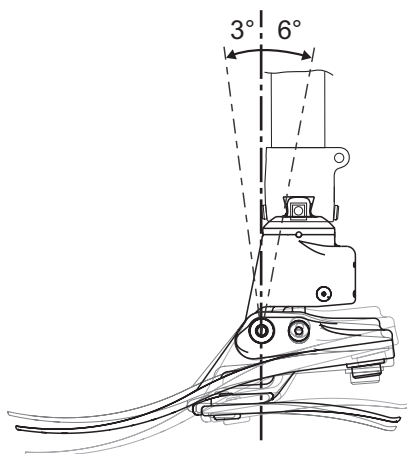
Alinee los dispositivos transfemorales de acuerdo a las instrucciones de ajuste suministradas con la rodilla.

Mantenga la línea de carga entre los pivotes tal y como se muestra, usando los dispositivos de ajuste y/o inclinación necesarios.



Ajuste de inclinación

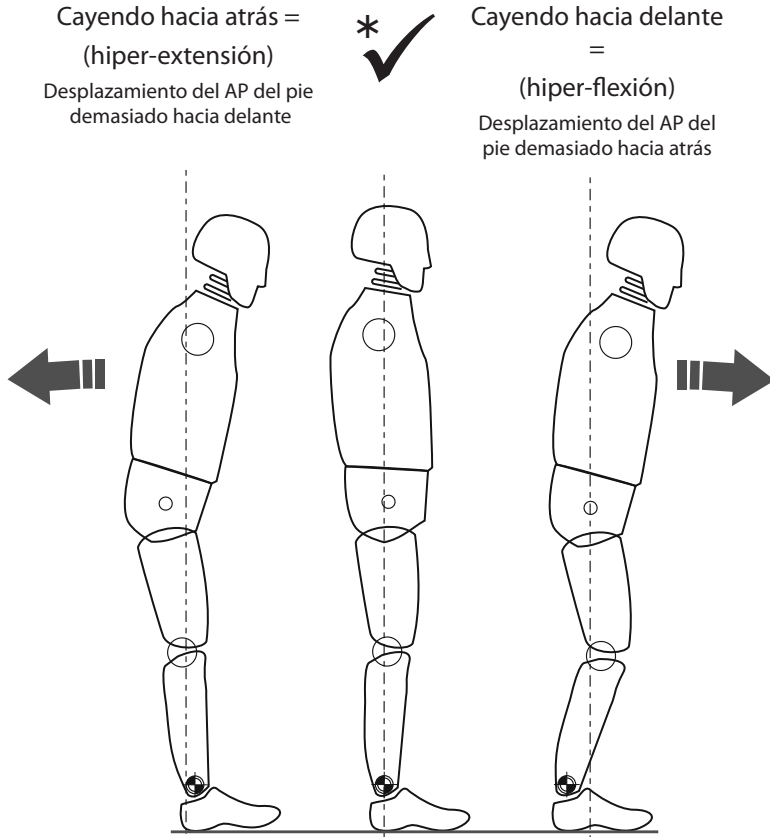
Alinee la extremidad para alcanzar el rango de movimiento mostrado.



*10 mm
contados para
la altura del
talón

6.2 Alineación biomimética

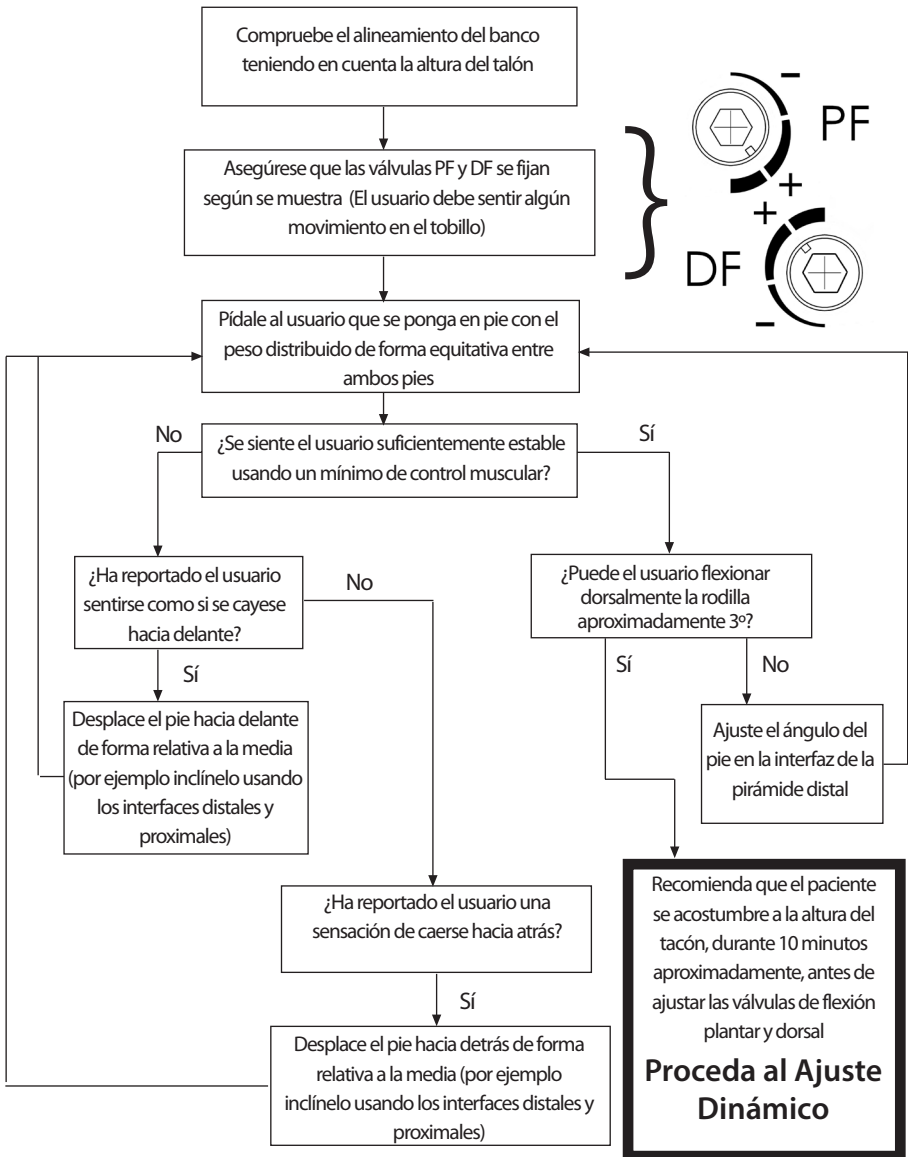
El objetivo del alineamiento es conseguir un “punto de equilibrio” mientras se está de pie y se configura el rango de movimiento del amortiguador hidráulico. El objetivo del amortiguador hidráulico es el de afinar las características de rigidez del tobillo-pie hasta que se consiga un movimiento confortable. Debido al incremento del rango de movimiento proporcionado por el tobillo, el usuario puede experimentar la necesidad de un control más voluntario y al principio encontrar la rodilla algo desconcertante durante la configuración. Esta sensación debería desaparecer rápidamente tras completar la configuración.



* Asegúrese de que el usuario esté relajado y no esté apoyado sobre el límite de flexión dorsal.

6.3 Ajuste biomimético

NB: Lleve a cabo el alineamiento estático mientras se asegura de que el usuario tiene algún medio de soporte como unas barras paralelas. Esto es únicamente para el alineamiento de pie.

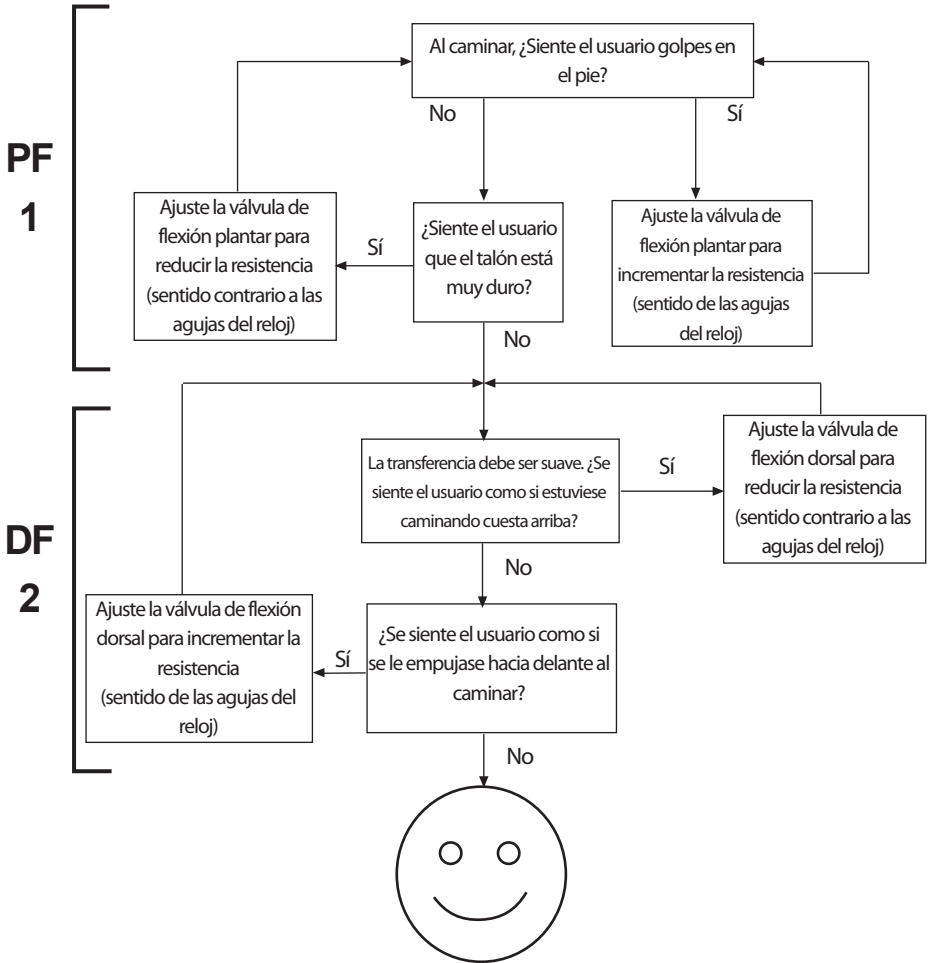


Use el engranaje para el alineamiento estático y de pie.

El dispositivo deberá permitir cierto grado de auto-ajuste para conseguir un sentido de equilibrio para el usuario cuando esté de pie.

6.4 Ajuste dinámico

Ajuste de las válvulas hidráulicas. El usuario debería experimentar el movimiento de la rodilla con el cuerpo a través del ciclo de paso. El usuario no debería realizar ningún esfuerzo para vencer la resistencia hidráulica del tobillo.



Líneas Directivas

Si siguiendo con el ajuste dinámico, pruebe el pie/tobillo en rampas y escaleras.

Asegúrese que el usuario está cómodo con el tipo de terreno con el que habitualmente se puede encontrar.

Si el usuario informa sobre problemas de confort, uso o rango de movimiento del tobillo, ajústelo correctamente para solucionarlo.

7 Aviso de fijación

El alineamiento correcto (posición A-P), rango de movimiento (distribución de flexión plantar a dorsal) y ajuste de las configuraciones hidráulicas son críticas para alcanzar una suave rotación y una correcta adaptación a la pendiente. (ver 6.3)

Las ballestas para el pie Echelon se suministrarán ensambladas al núcleo y ambas serán de la misma categoría. Si después de seguir las instrucciones de abajo aún tiene problemas con el funcionamiento, por favor, contacte con el equipo de ventas en su área para solicitar asesoramiento.

Cualquiera de lo siguiente:

- Selección incorrecta de la ballestas
- Alineamiento incorrecto del deslizamiento lateral A-P
- Distribución incorrecta del rango de la flexión dorsal y plantar
... tendrá un efecto negativo en la función y la estabilidad.

	Síntoma	Remedio
1.	<ul style="list-style-type: none"> • Hundirse a nivel del talón • Dificultad en conseguir una progresión suave a una postura media • El usuario siente como si estuviera subiendo una colina o la pierna delantera se siente excesivamente larga 	<ul style="list-style-type: none"> • Aumentar la resistencia de la flexión plantar • Comprobar el alineamiento del deslizamiento lateral A-P; asegurar que el pie no está posicionado demasiado hacia delante • Comprobar la distribución del movimiento de flexión plantar y dorsal; asegurar que el rango de flexión plantar no es excesivo • Comprobar que la categoría de la ballestas no son demasiado suaves; si lo es, fijar un porcentaje de ballesta más alto
2.	<ul style="list-style-type: none"> • Progresión desde el nivel del talón a una posición media es demasiado rápido • Dificultad en controlarla energía desde el pie hasta el nivel del talón (estabilidad de la rodilla reducida) • El usuario siente que el talón está muy duro, que el pierna delantera es demasiado corta 	<ul style="list-style-type: none"> • Reducir la resistencia de la flexión plantar • Comprobar el alineamiento del desplazamiento lateral A-P; asegurarse de que el pie no está posicionado demasiado hacia atrás • Comprobar la distribución del movimiento de la flexión plantar y dorsal; asegurarse de que hay el rango adecuado de flexión plantar • Comprobar que la categoría de las ballestas no sean demasiado suaves para el peso y la actividad del paciente; si lo es, fijar una ballesta de porcentaje más alto.
3.	<p>Contacto y progresión del talón OK pero:</p> <ul style="list-style-type: none"> • Pierna delantera se siente demasiado suave • Pierna delantera se siente demasiado corta • El usuario siente que está caminando colina abajo, posiblemente con una estabilidad de rodilla reducida • Falta de retorno de energía 	<ul style="list-style-type: none"> • Aumentar la resistencia de la flexión dorsal • Comprobar el alineamiento del desplazamiento lateral A-P; asegurarse de que el pie no está demasiado posicionado hacia atrás • Comprobar la distribución del movimiento de flexión plantar y dorsal; asegurarse de que no hay un rango de flexión dorsal excesivo • Comprobar que la categoría de las ballestas no sean demasiado suaves para el peso y la actividad del paciente; si lo es, fijar una ballesta de porcentaje más alto

	Síntoma	Remedio
4.	<ul style="list-style-type: none"> • Pierna delantera se siente demasiado rígida • Pierna delantera se siente demasiado larga • Parece que se está caminando colina arriba 	<ul style="list-style-type: none"> • Reducir la resistencia de la flexión dorsal • Comprobar el alineamiento del desplazamiento lateral A-P; asegurarse de que el pie no está demasiado posicionado hacia delante • Comprobar la distribución del movimiento de flexión plantar y dorsal; asegurarse de que hay suficiente rango de flexión dorsal • Comprobar que la categoría de las ballestas sean muy rígidas para el peso y la actividad del paciente; si es así, fijar un porcentaje más alto de ballesta

8 Instrucciones de Montaje



Sea consciente en todo momento del peligro de que los dedos queden atrapados.

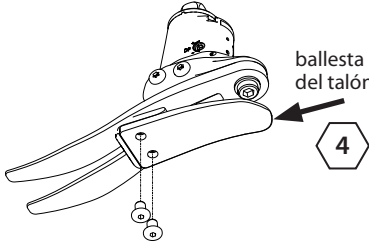
Retirada de la cosmética



8 Instrucciones de montaje (continuación)

Reemplazo del resorte

3

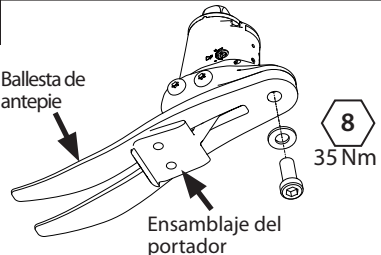


ballesta del talón

4

Retire la ballesta del talón y los tornillos.

4



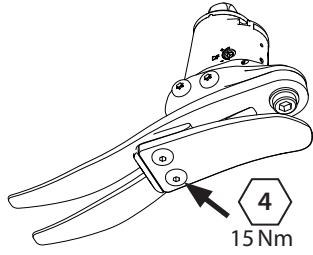
Ballesta de antepié

Ensamblaje del portador

8
35 Nm

Retire el tornillo, de la ballesta del antepié y reemplace la puntera. Una vez re-ensamblado, use Loctite 243 (926012) y torque hasta los 35 Nm.

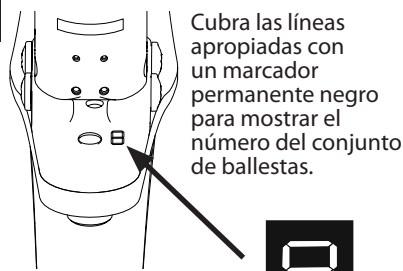
5



4
15 Nm

Re-ensamble con el resorte de talón de reemplazo. Use Loctite 243 (926012) y torque hasta los 35 Nm.

6



Cubra las líneas apropiadas con un marcador permanente negro para mostrar el número del conjunto de ballestas.

8

7

Si se va a aplicar una cosmética de espuma, encrespe la superficie exterior de la carcasa del pie para proporcionar una superficie de adherencia ideal.



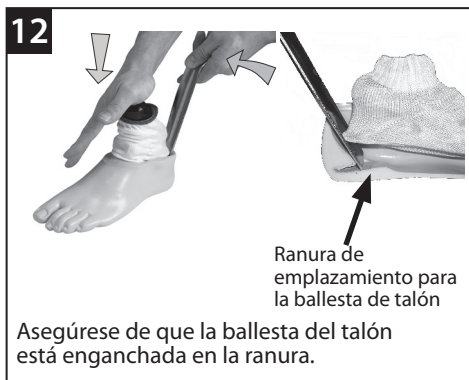
8



928017

Lubrique el talón y la puntera si fuese necesario. (La cosmética del pie está pre-lubricada).
Coloque el calcetín como muestra la imagen.

8 Instrucciones de montaje *(continuación)*



Si se requiere una placa de ajuste cosmética por favor contacte con un miembro del equipo de ventas de Blatchford.

9 Datos técnicos

Temperatura de operación: -15 °C to 50 °C

Peso del componente (*Talla 26N*): 900 g
(*el peso varía con el tamaño*)

Nivel de actividad: 3

Peso máximo del usuario: 125 kg

Conexión proximal: Pirámide macho (Blatchford)

Rango del movimiento del tobillo: flexión 6° plantar a 3° dorsal

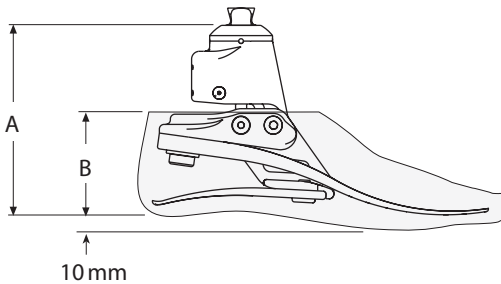
Altura de construcción: (22-24cm) 115 mm

(25-26cm) 120 mm

(27-30cm) 125 mm

Altura del talón: 10 mm

Longitud de Ajuste



Tallas	A
22-24	115 mm
25-26	120 mm
27-30	125 mm

Tallas	B
22-26	65 mm
27-28	70 mm
29-30	75 mm

10 Información para pedidos

Ejemplo de pedido

EC	25	L	N	3	S
	Talla	Lado (L/R)	Anchura* (N/W)	Conjunto de Ballesta Categoría	Dedo sandalia

Disponible desde la talla 22 a la 30:
EC22L1S a EC30R8S
EC22L1SD a EC30R8SD

*Tallas 25-27. Para las demás tallas omite este campo.

Añada "D" si desea una carcasa de tono oscuro.

por ejemplo: EC25LN3S, EC22R4S, EC27RW4SD

Kits de ballestas				
Tipo	Tallas del pie			
	Pequeña (S)	Media (M)	Grande (G)	Extra Grande (XL)
	22-24	25-26	27-28	29-30
Set 1	539801S	539810S	539819S	539828S
Set 2	539802S	539811S	539820S	539829S
Set 3	539803S	539812S	539821S	539830S
Set 4	539804S	539813S	539822S	539831S
Set 5	539805S	539814S	539823S	539832S
Set 6	539806S	539815S	539824S	539833S
Set 7	539807S	539816S	539825S	539834S
Set 8	539808S	539817S	539826S	539835S

Cosmética (para añadir oscuro 'D')			Calcetín
Talla/Lado	Estrecho	Amplio	
22L	539038S	-	531011
22R	539039S	-	
23L	539040S	-	
23R	539041S	-	
24L	539042S	-	
24R	539043S	-	
25L	539044SN	539044SW	
25R	539045SN	539045SW	
26L	539046SN	539046SW	532811
26R	539047SN	539047SW	
27L	539048SN	539048SW	
27R	539049SN	539049SW	
28L	-	539050S	
28R	-	539051S	
29L	-	539052S	
29R	-	539053S	
30L	-	539054S	
30R	-	539055S	

Llave de ajuste DF/PF Llave Allen A/F 4.0 940236

Responsabilidad

El fabricante recomienda utilizar el dispositivo únicamente bajo las condiciones especificadas y para los propósitos intencionados. El aparato debe mantenerse de acuerdo a las instrucciones de uso suministradas con la misma caja. El fabricante no es responsable del daño causado por combinaciones constitutivas que no fueran autorizadas por él mismo.

Conformidad con la CE

Este producto reúne los requisitos de la normativa 93/42/EEC para productos médicos. Este producto ha sido clasificado como un producto clase I de acuerdo a los criterios de clasificación descritos en el apéndice IX de la normativa. La declaración de conformidad fue, por tanto, creada por Blatchford Products Limited con exclusiva responsabilidad según el apéndice VII de la normativa.

Garantía

El Echelon tiene una garantía de 36 meses—Cosmética 12 meses—Calcetín 3 meses. El usuario debería saber que todo cambio o modificación no aprobada expresamente podría invalidar la garantía, las licencias de uso y exenciones. Consulte la declaración total de garantía en el sitio web de Blatchford.

Aspectos medioambientales

Siempre que sea posible, los componentes deben reciclarse de acuerdo con las normas locales de manejo de desechos.

Dirección registrada del fabricante

Blatchford Products Limited, Lister Road, Basingstoke RG22 4AH, UK.

blatchford.co.uk/distributors

UK

Blatchford Products Ltd.
Unit D Antura
Kingsland Business Park
Basingstoke
RG24 8PZ
UNITED KINGDOM
Tel: +44 (0) 1256 316600
Fax: +44 (0) 1256 316710
Email: customer.service@blatchford.co.uk
blatchford.co.uk
www.blatchford.co.uk

US & Canada

Blatchford Inc.
1031 Byers Road
Miamisburg
Ohio 45342
USA
Tel: +1 (0) 800 548 3534
Fax: +1 (0) 800 929 3636
Email: info@blatchfordus.com
www.blatchfordus.com

Germany

Blatchford Europe GmbH,
Fritz-Hornschuch-Str. 9 (3.OG)
D-95326 Kulmbach
GERMANY
Tel: +49 (0) 9221/87808-0
Fax: +49 (0) 9221/87808-60
Email: info@blatchford.de
www.blatchford.de

France

Blatchford SAS
Parc d'Activités de l'Aéroport
125 Impasse
Jean-Baptiste Say
34470 PEROLS
FRANCE
Tel: +33 (0) 467 820 820
Fax: +33 (0) 467 073 630
Email: contact@blatchford.fr
www.blatchford.fr

India

Endolite India Ltd
A4 Naraina Industrial Area
Phase - 1
New Delhi
INDIA – 110028
Tel: +91 (011) 45689955
Fax: +91 (011) 25891543
Email: endolite@vsnl.com
www.endoliteindia.com

Norway

Ortopro AS
Hardangervegen 72
Seksjon 17
5224 Nesttun
NORWAY
Tel: +47 (0) 55 91 88 60
Email: post@ortopro.no
www.ortopro.no